

Pressure Switch & Oil Level

- Pressure Switch
- Modular Pressure Switch
- Oil Level Switch



Pressure Switch > Hydro-electric Type

JC-PSD-03	04
JC-PS-02	05
JCS-02N	06
JCD-02	07
JC-PDH	08

Pressure Switch > Mounting Type

MJCSD-01-SC	09
MJCSD-01	10

Pressure Switch > Digital Type

DPS	11
JC-DPS-N	12
JC-DPS-NS	14

Pressure Switch > Pressure Transducer

JC-P5	16
-------------	----

Modular Pressure Switch

MJCS-02	18
MJCS-03	19
MJCS-02-SC	20
MJCS-03-SC	21
MJCS-02W	22
MJCS-03W	23
MJCS-02W-SC	24
MJCS-03W-SC	25

Oil Level Switch

LVM	26
Digital Oil Level Switch with Temperature Control / LVMTTC	28

JC-PSD-03



ORDER CODES

JC-PSD-03 - 2

1 2

1 ▶	Model Name	JC-PSD-03H, JC-PSD-03, JC-PSD-03L
2 ▶	Thread Connection	1 3/8" PT 2 3/8" NPT 3 3/8" BSPP

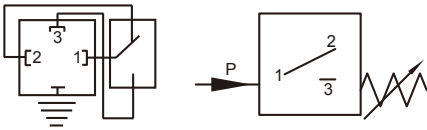
MODEL SPEC.

Model	Used Pressure (kgf/cm ²)	Max. Pressure (kgf/cm ²)	Weight (kg)
JC-PSD-03H	20 - 300	350	0.55
JC-PSD-03	10 - 200	350	
JC-PSD-03L	1 - 20	200	

Operational Voltage / Current

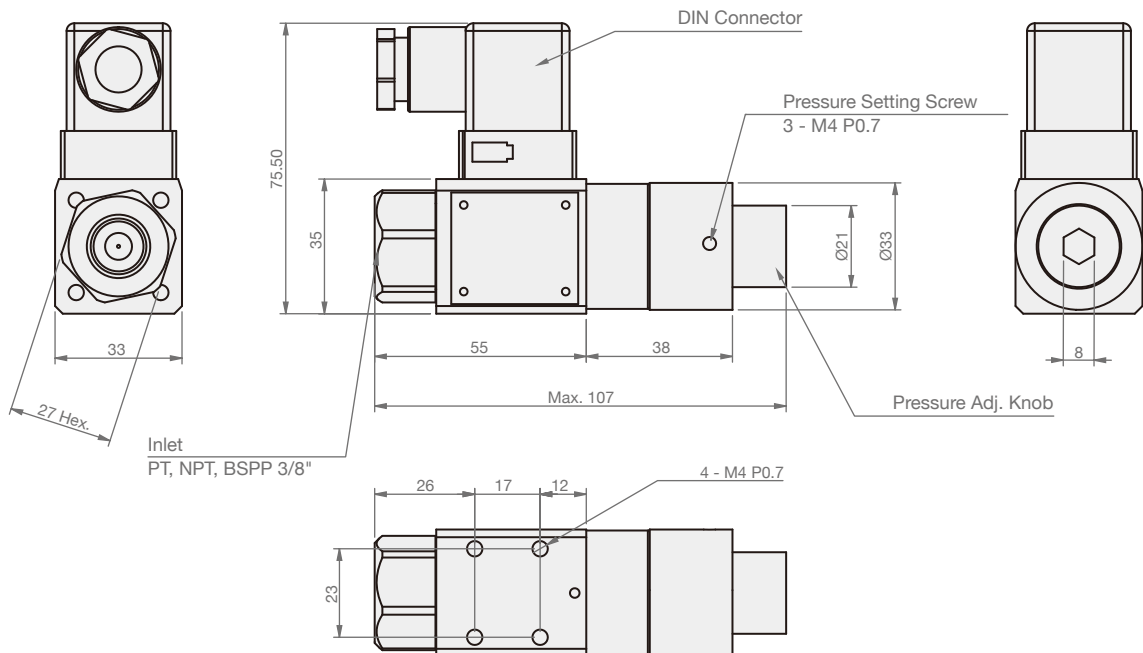
AC250V / 3A AC125V / 5A	DC24V / 20mA
----------------------------	--------------

SYMBOLS



DIMENSION

(UNIT : mm)



JC-PS-02



ORDER CODES

JC-PS-02 - 2

1 2

1 ▶	Model Name	JC-PS-02, JC-PS-02L, JC-PS-02LL
2 ▶	Thread Connection	1 1/4" PT 2 1/4" NPT 3 1/4" BSPP

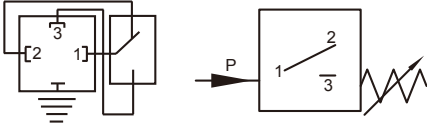
MODEL SPEC.

Model	Used Pressure (kgf/cm ²)	Max. Pressure (kgf/cm ²)	Weight (kg)
JC-PS-02	30 - 600	700	0.75
JC-PS-02L	10 - 230	350	
JC-PS-02LL	5 - 60	250	

Operational Voltage / Current

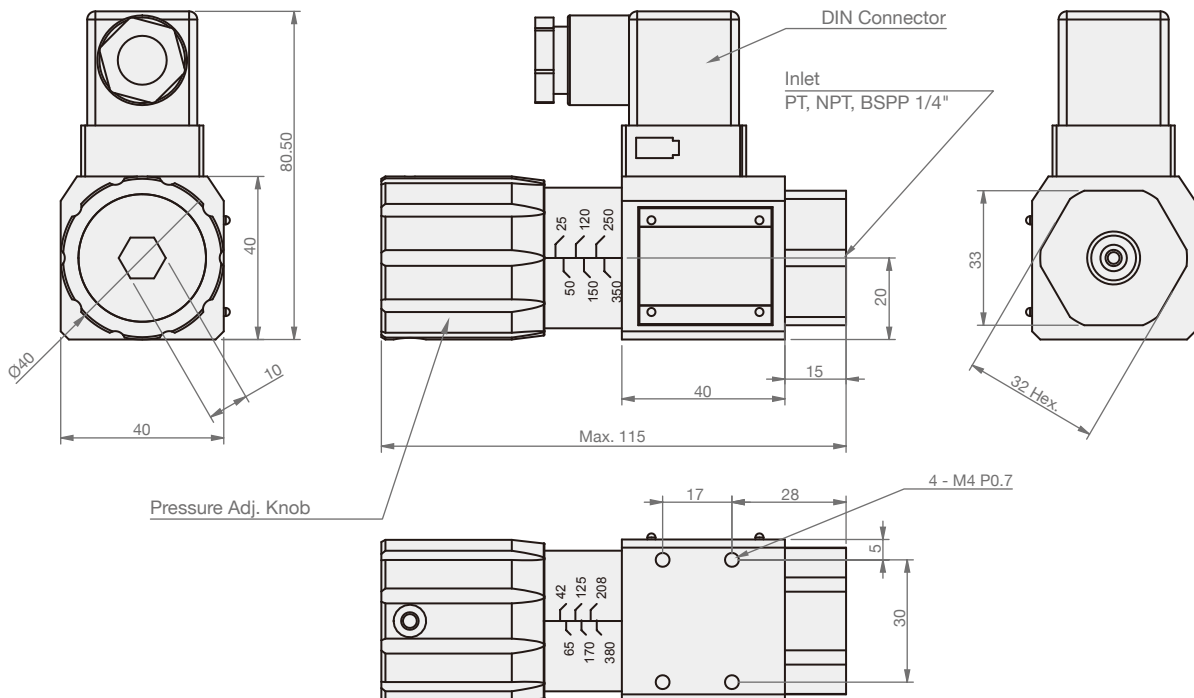
AC250V / 3A AC125V / 5A	DC24V / 20mA
----------------------------	--------------

SYMBOLS



DIMENSION

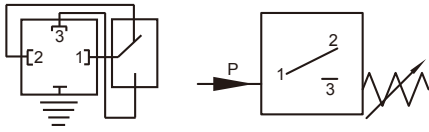
(UNIT : mm)



JCS-02N

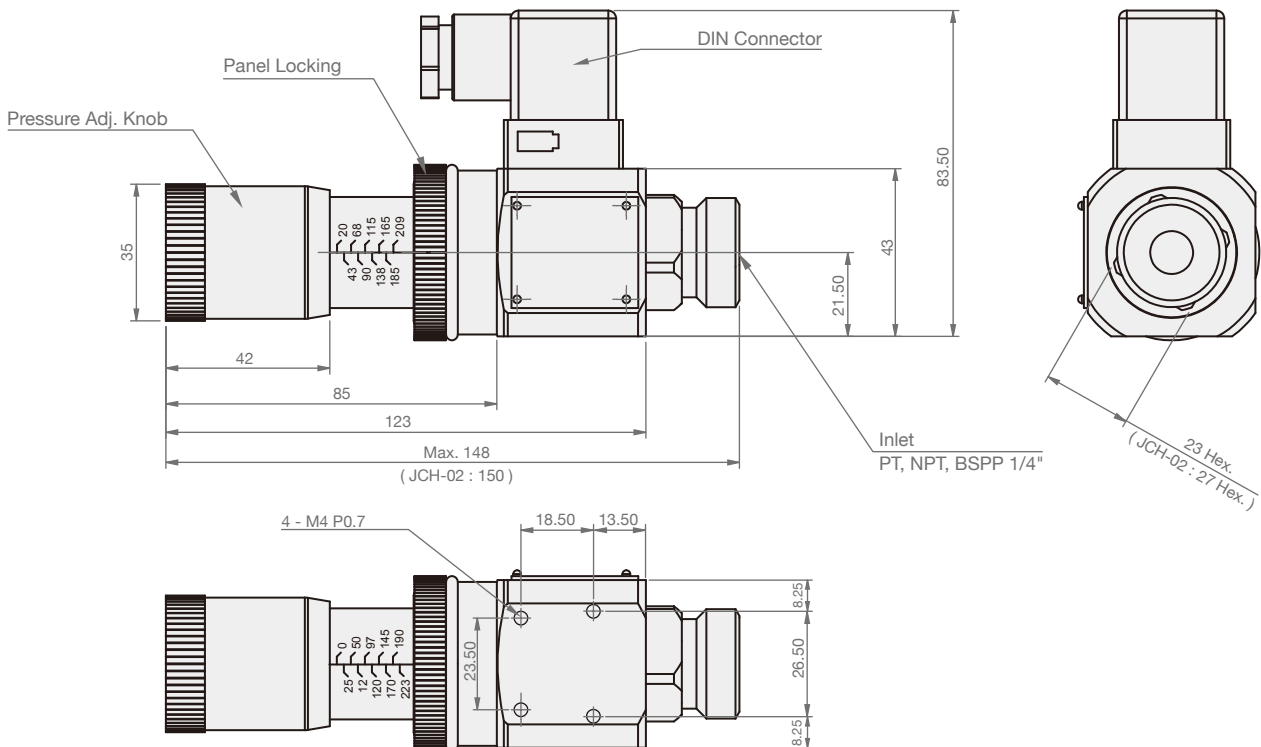


SYMBOLS



DIMENSION

(UNIT : mm)



ORDER CODES

JCS-02N - 1

1 2

1 ▶ Model Name	JCS-02N, JCS-02NL, JCS-02NLL, JCH-02	
2 ▶ Thread Connection	1	1/4" PT
	2	1/4" NPT
3	1/4" BSPP	

MODEL SPEC.

Model	Used Pressure (kgf/cm ²)	Max. Pressure (kgf/cm ²)	Weight (kg)
JCS-02N	20 - 210	350	1.0
JCS-02NL	15 - 60	350	
JCS-02NLL	5 - 40	60	
JCH-02	20 - 600	700	

Operational Voltage / Current

AC250V / 3A AC125V / 5A	DC24V / 20mA
----------------------------	--------------

JCD-02



ORDER CODES

JCD-02S - 1

① ②

① ▶ Model Name	JCD-02S, JCD-02H, JCD-02HH	
② ▶ Thread Connection	1	1/4" PT
	2	1/4" NPT
	3	1/4" BSPP

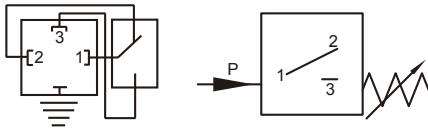
MODEL SPEC.

Model	Used Pressure (kgf/cm ²)	Max. Pressure (kgf/cm ²)	Weight (kg)
JCD-02S	4 - 26	50	0.8
JCD-02H	15 - 200	350	
JCD-02HH	20 - 360	600	

Operational Voltage / Current

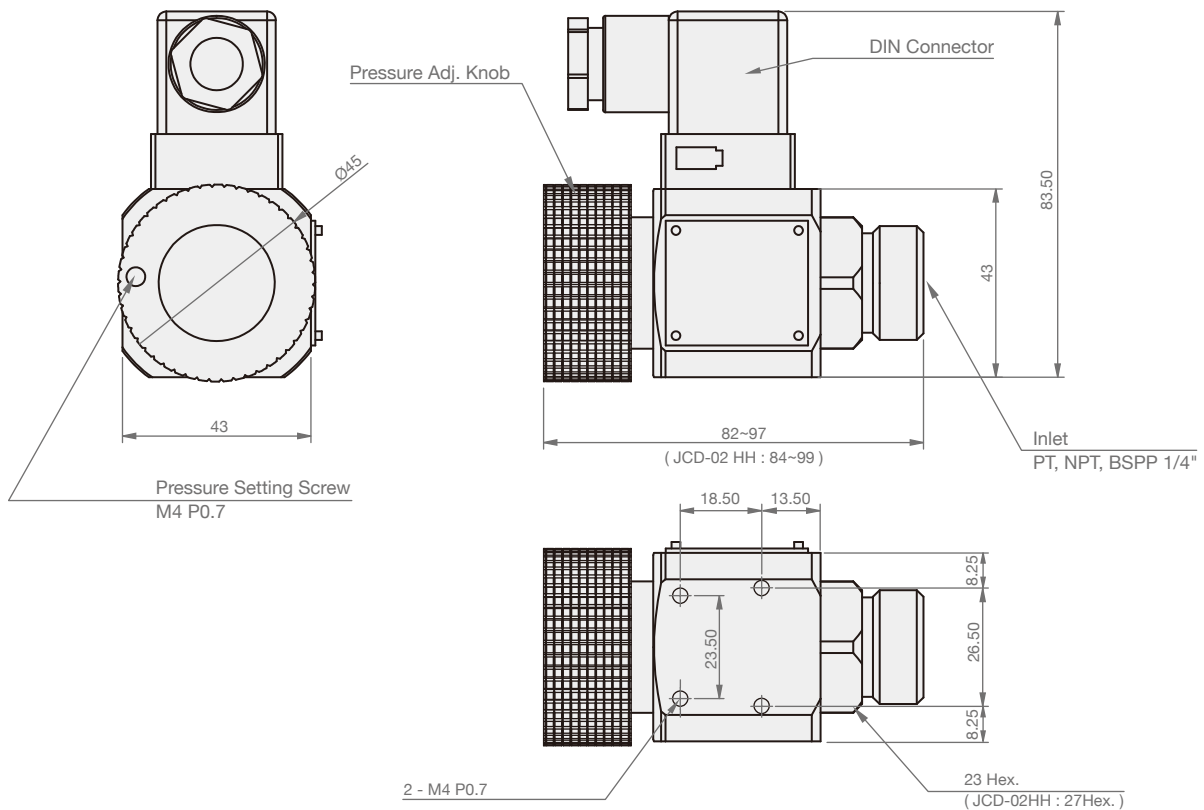
AC250V / 3A AC125V / 5A	DC24V / 20mA
----------------------------	--------------

SYMBOLS



DIMENSION

(UNIT : mm)



JC-PDH



ORDER CODES

JC-PDH-H - 1

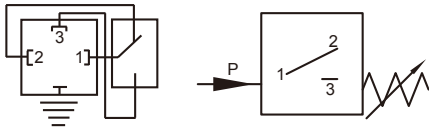
1 2

1	Model Name	JC-PDH-H
2	Thread Connection	1 3/8" PT

MODEL SPEC.

Model	Used Pressure (kgf/cm ²)	Max. Pressure (kgf/cm ²)	Weight (kg)
JC-PDH-H	15 - 200	350	0.4
Operational Voltage / Current			
AC250V / 3A AC125V / 5A		DC24V / 20mA	

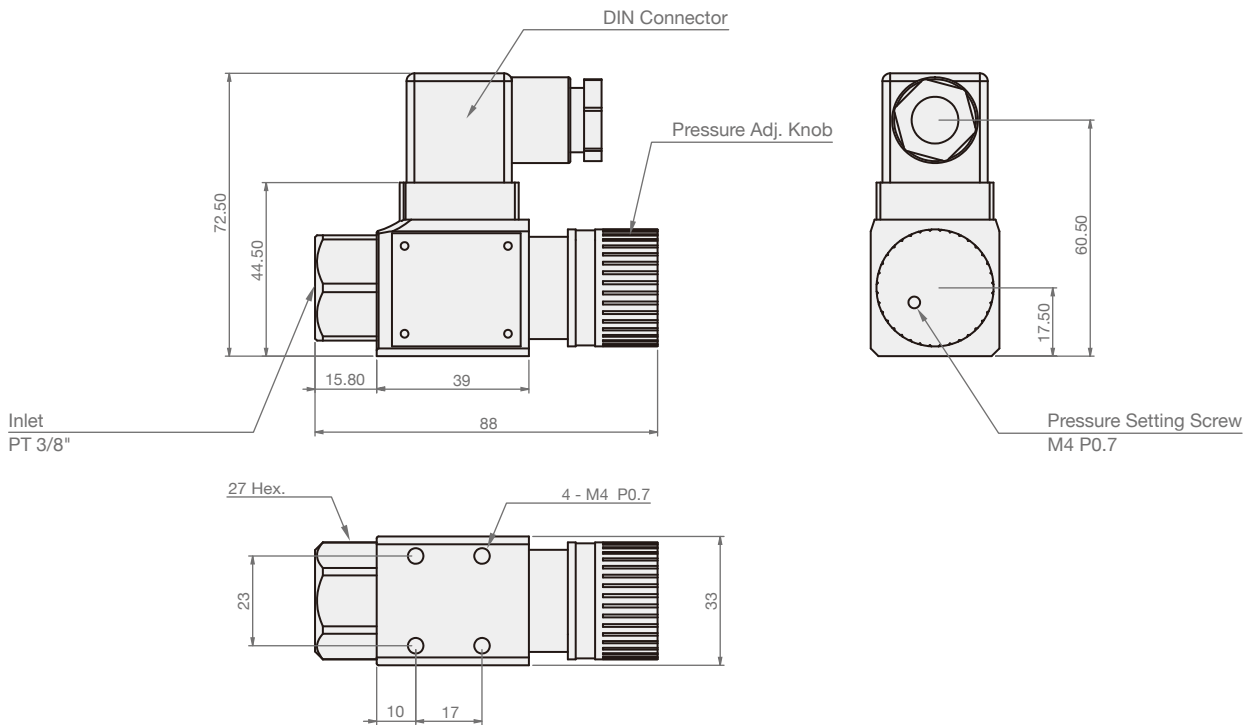
SYMBOLS



Accessory :
Transparent DIN Connector
(AC / DC / Double LED indicators)
Operational current : 0.5A or less

DIMENSION

(UNIT : mm)



MJCSD-01-SC



ORDER CODES

MJCSD-01 - **SC**

1	Model Name	MJCSD-01, MJCSD-01L
2	Pressure Adj. Knob	SC

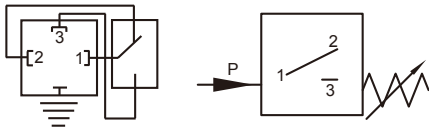
MODEL SPEC.

Model	Used Pressure (kgf/cm ²)	Max. Pressure (kgf/cm ²)	Weight (kg)
MJCSD-01-SC	10 - 250	350	0.7
MJCSD-01-L-SC	5 - 60	200	

Operational Voltage / Current

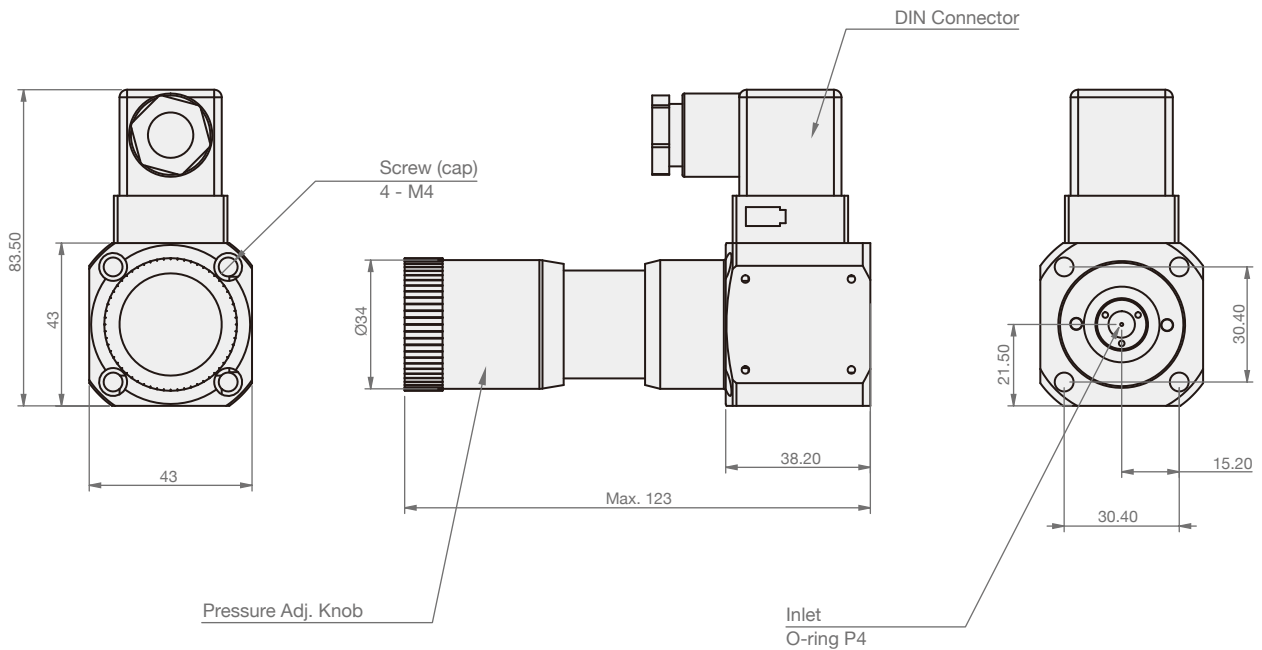
AC250V / 3A AC125V / 5A	DC24V / 20mA
----------------------------	--------------

SYMBOLS



DIMENSION

(UNIT : mm)



MJCSD-01



ORDER CODES

MJCSD-01

1 ▶ **Model Name** MJCSD-01, MJCSD-01-L

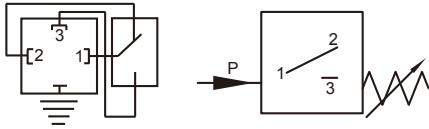
MODEL SPEC.

Model	Used Pressure (kgf/cm ²)	Max. Pressure (kgf/cm ²)	Weight (kg)
MJCSD-01	10 - 250	350	0.6
MJCSD-01-L	5 - 60	200	

Operational Voltage / Current

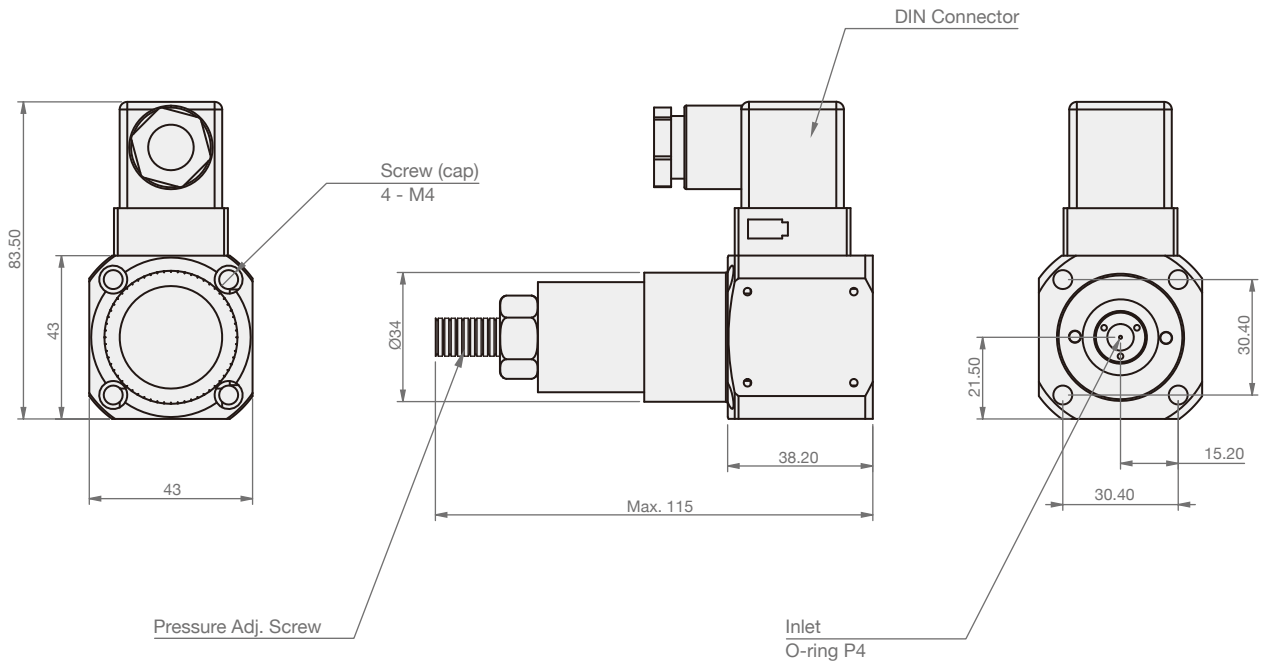
AC250V / 3A AC125V / 5A	DC24V / 20mA
----------------------------	--------------

SYMBOLS



DIMENSION

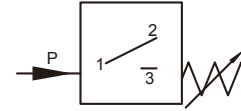
(UNIT : mm)



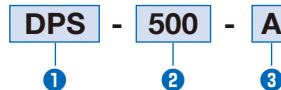
DPS



SYMBOLS



ORDER CODES

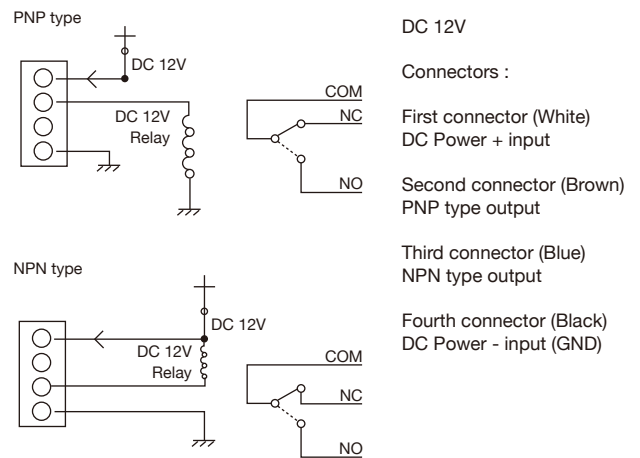


1	▶ Model Name	DPS
2	▶ Pressure Range (PSI)	5, 15, 50, 75, 100, 200, 300, 500, 750, 1000, 1500, 2000, 3000, 5000
3	▶ Thread Connection	A 22mm 1/4 - 18 NPT B 22mm 1/8 - 27 NPT

MODEL SPEC.

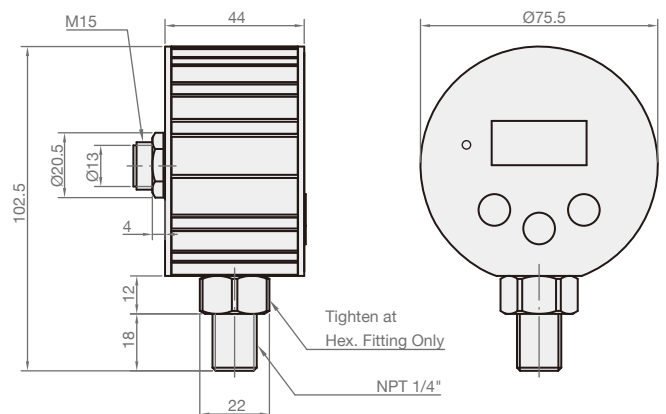
Model	DPS
Pressure Range (PSI)	5, 15, 50, 75, 100, 200, 300, 500, 750, 1000, 1500, 2000, 3000, 5000
Accuracy	±0.25% full scale
Output Type	4 digits LCD, 4 ~ 20mA current output, and a NPN limit switch
Keypad Operated Functions	peak hold, zero adjustment, high and low pressure set points
Supply Voltage	DC 12V
Operational Temperature	-10 ~ 60°C
Water Resistant Level	NEMA 4X (IP65)
Options of Pressure Unit	PSI, Bar, Mpa
Media Isolation	316L SS diaphragm
Thread Connection	304L SS port 22mm 1/4 - 18 NPT or 22mm 1/8 - 27 NPT
Chemical Compatibilities	any gas or liquid with chemically compatible to 304L SS and 316L SS
Typical Applications	process control, refrigeration, fuel cells, pumps, hydraulics, pneumatics, compressors, waste water, agriculture
Weight (kg)	0.38

CABLE CONNECTING INDICATION



DIMENSION

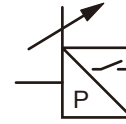
(UNIT : mm)



JC-DPS-N



SYMBOLS



ORDER CODES

JC-DPS-N - **420** - **1**

1

2

3

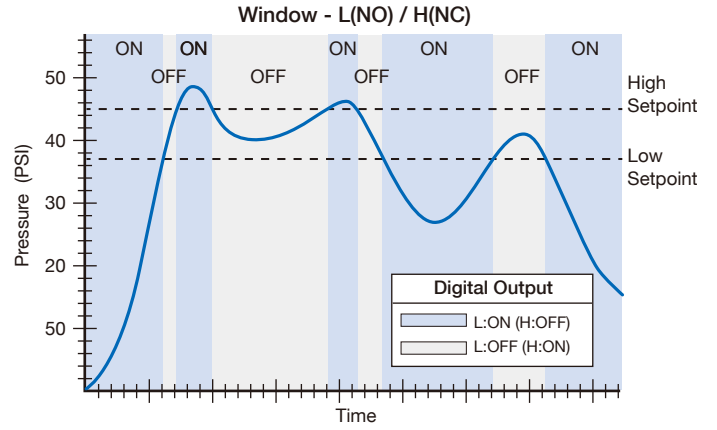
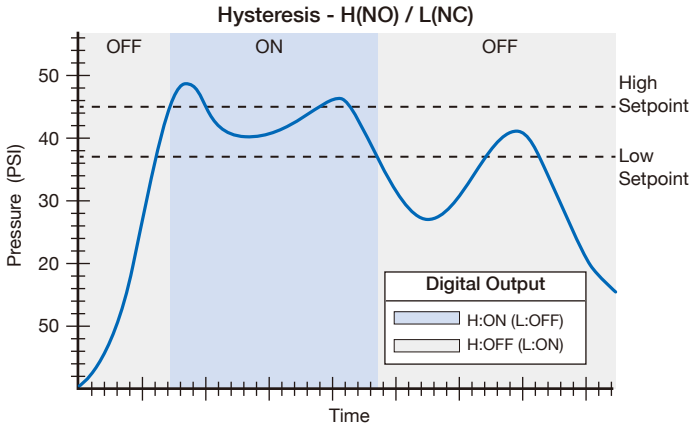
1	▶ Model Name	JC-DPS-N
2	▶ Used Pressure (bar)	150, 250, 350, 420
3	▶ Thread Connection	1 1/4" PT 2 1/4" NPT 3 1/4" BSPP

MODEL SPEC.

Model	JC-DPS-N
Pressure Range (bar)	150, 250, 350, 420
Burst Pressure	Min. 10000 psi
Accuracy	±1% F.S. @ 25±3°C
Supply Voltage	10 to 30 VDC
Current Consumption	<20 mA (not including switch output)
Protection	Power reverse protection, over load protection
Output	NPN or PNP mode, with 100 mA, 30 VDC (max.)
Power Connector	M12 (4 pin)
Working Temperature	-10~60°C (14~140°F), non-frozen state
Storage Temperature	-40~85°C (40~185°F), non-frozen state
Chemical Compatibilities	gas / liquid compatible with 304L & 316L
Material	Front & rear cover: ABS, port: SUS304L/SUS316L
Waterproof	IP65
Weight (kg)	0.15

SWITCH CONTROL TYPE PARAMETER

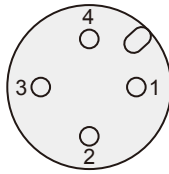
The real output is depends on the output type and control type. For example, if the high threshold setting is 45.00 psi and low threshold setting is 37.00 psi, the switch output will be shown as below figure. The switch output is turned on when it is active.



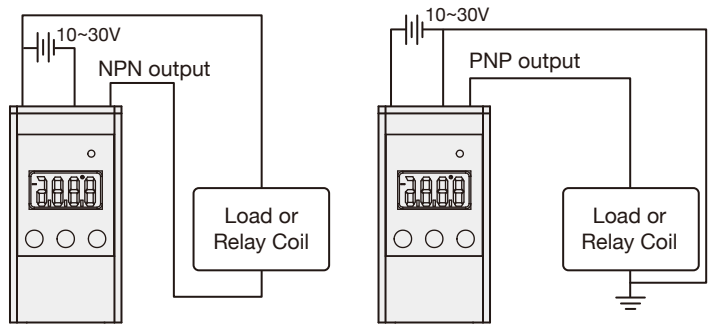
WIRING INSTRUCTION

Pin Assignment

1	V+, Power positive	brown
2	E case, earth	green
3	V-, Power negative	blue
4	Switch output	white

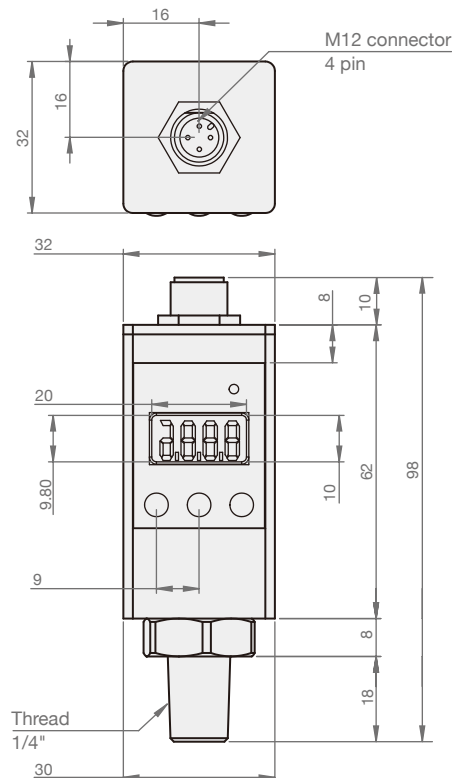


The application circuit for NPN or PNP output.



DIMENSION

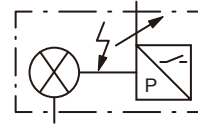
(UNIT : mm)



JC-DPS-NS



SYMBOLS



ORDER CODES

JC-DPS-NS - 420 - 1

1 2 3

1	Model Name	JC-DPS-NS (w/Pressure Transducer)
2	Used Pressure (bar)	150, 250, 350, 420
3	Thread Connection	1 1/4" PT 2 1/4" NPT 3 1/4" BSPP

MODEL SPEC.

Model	JC-DPS-NS
Pressure Range (bar)	150, 250, 350, 420
Burst Pressure	Min. 10000 psi
Accuracy	±1% F.S. @ 25±3°C
Supply Voltage	10 to 30 VDC
Current Consumption	<20 mA (not including switch output)
Protection	Power reverse protection, over load protection
Output	NPN or PNP mode, with 100 mA, 30 VDC (max.)
Analog Current Output (option "I")	4~20mA, 0~20mA, 0~24mA option selected by panel operation
Analog Voltage Output (option "V")	0~5V, 0.5~4.5V, 1~5V, 0~10V, 1~10V, option selected by panel operation
Power Connector	M12 (6 pin)
Working Temperature	-10~60°C (14~140°F), non-frozen state
Storage Temperature	-40~85°C (40~185°F), non-frozen state
Chemical Compatibilities	gas / liquid compatible with 304L & 316L
Material	Front & rear cover: ABS, port: SUS304L/SUS316L
Waterproof	IP65
Weight (kg)	0.15

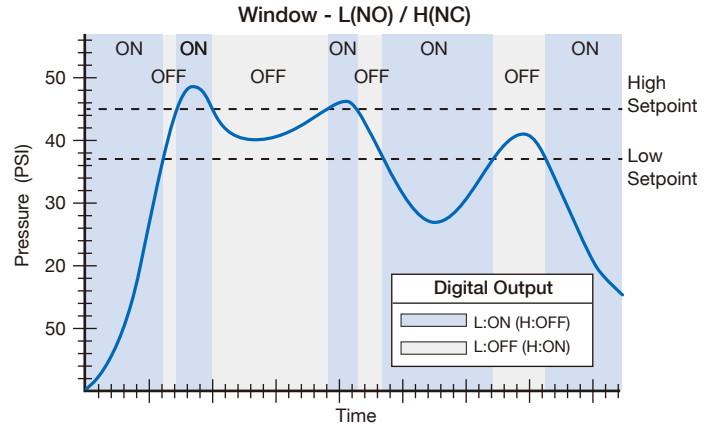
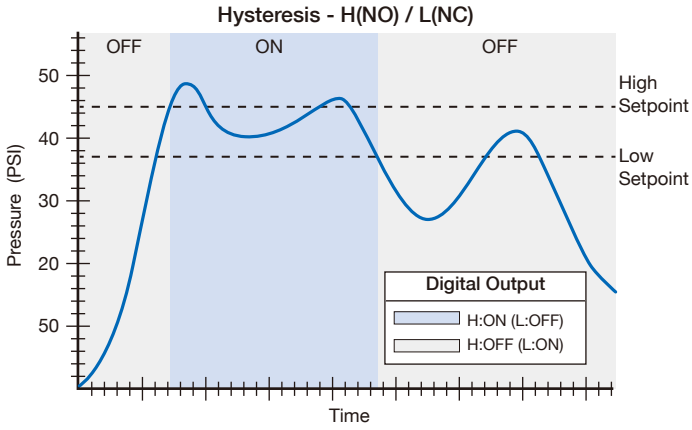
Analog Output Format Option

Analog Current Output	
4~20mA	Zero pressure: 4mA, Full pressure: 20mA
0~20mA	Zero pressure: 0mA, Full pressure: 20mA
0~24mA	Zero pressure: 0mA, Full pressure: 24mA

Analog Voltage Output	
0~5V	Zero pressure: 0V, Full pressure: 5V
0.5V~4.5V	Zero pressure: 0.5V, Full pressure: 4.5V
1~5V	Zero pressure: 1V, Full pressure: 5V
0~10V	Zero pressure: 0V, Full pressure: 10V
1~10V	Zero pressure: 1V, Full pressure: 10V

SWITCH CONTROL TYPE PARAMETER

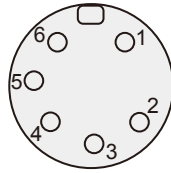
The real output is depends on the output type and control type. For example, if the high threshold setting is 45.00 psi and low threshold setting is 37.00 psi, the switch output will be shown as below figure. The switch output is turned on when it is active.



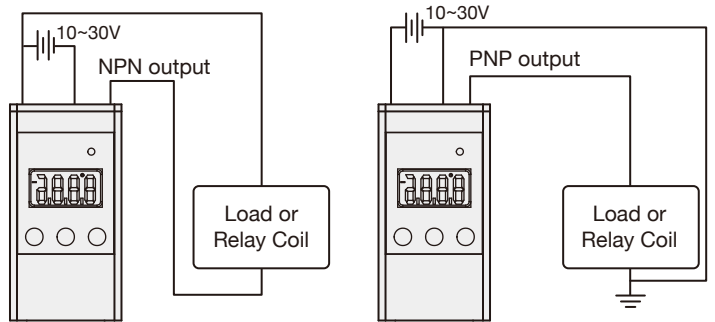
WIRING INSTRUCTION

Pin Assignment

1	V+, Power positive	brown
2	E case, earth	green
3	V-, Power negative	blue
4	Switch output	white
5	Voltage output	black
6	Current output	yellow

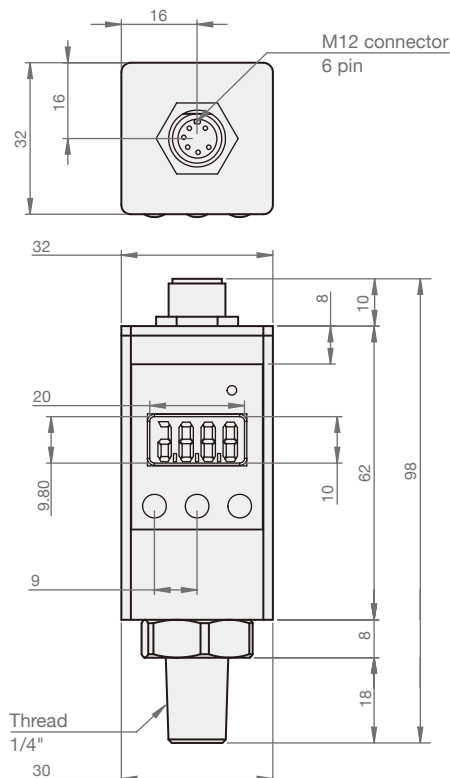


The application circuit for NPN or PNP output.



DIMENSION

(UNIT : mm)



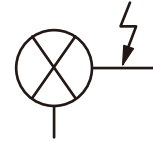
JC-P5



FEATURES

- CE Approved : EN61326, EN61000
- Superb Accuracy : $\pm 0.5\%$
- Robust Package : all laser - welded stainless steel design for optimal media isolation.
- Flexibility : custom ASIC provides signal conditioning and temperature compensation.
- Standard and custom options available.
- Compact size, excellent price / capacity ratio.
- 5V input with 0.5~4.5V output.
- 8~30V input with 4~20mA, 1~5V & 0~10V output.

SYMBOLS



ORDER CODES

JC-P5 - 250 - 20mA - 1 - D

1
2
2
3
4

1	Model Name	JC-P5	
2	Used Pressure (bar)	2, 70, 150, 250, 350, 420	
3	Output Type	4.5V	0.5~4.5V
		5V	1~5V
		10V	0~10V
		20mA	4~20mA
4	Thread Connection	1	1/4" PT
		2	1/4" NPT
		3	1/4" BSPP
5	Wiring Type	D	DIN Connector
		L	1M integral harness*

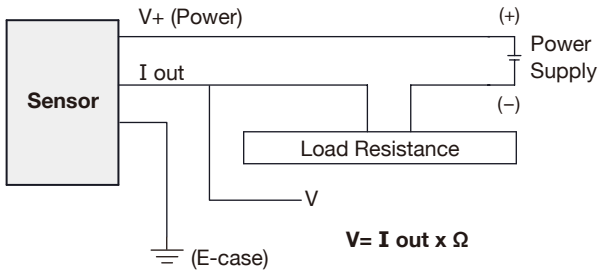
* Cable length optional

MODEL SPEC.

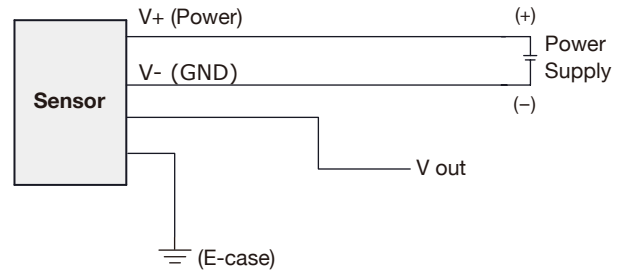
Output Type	4.5V	5V	10V	20mA
	0.5~4.5V	1~5V	0~10V	4~20mA
Accuracy	$< \pm 0.50\%$ Full Scale			
Thermal Error	$< \pm 0.50\%$ Full Scale			
Zero Pressure Offset	0.50V	1.00V	0.00V	4.0mA
Full Scale Output	4.50V	5.00V	10.00V	20mA
Operational Temperature	-20~85 °C			
Storage Temperature	-40~105 °C			
Proof Pressure	2 x F.S.			
Burst Pressure	3 x F.S.			
Weight (kg)	DIN connector type : 0.88			

CABLE CONNECTING INDICATION

► Analog Current Output

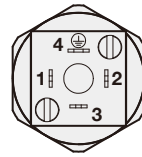
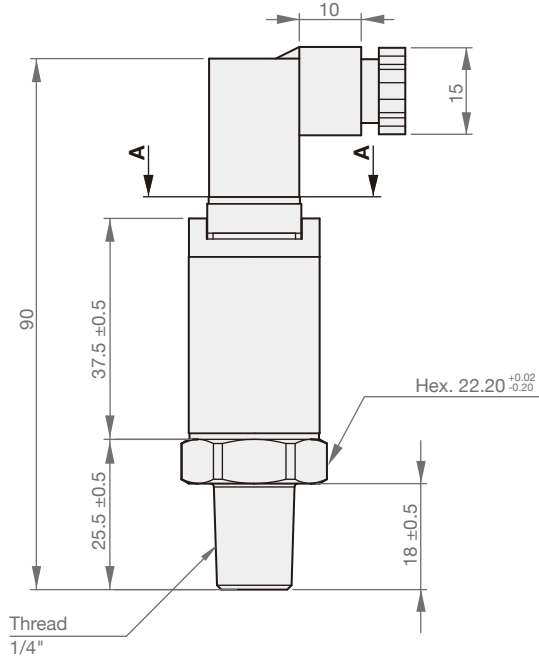


► Analog Voltage Output



DIMENSION & WIRING INSTRUCTION

(UNIT : mm)

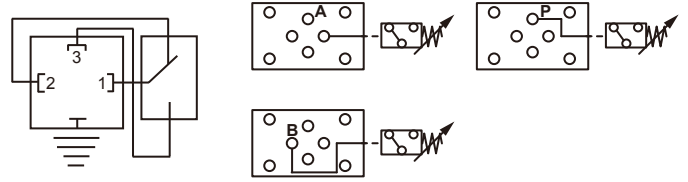


Cross-sectional View
A-A

Pin Output	0.5~4.5V	1~5V	0~10V	4~20mA
1	Power (DC5V)	Power (DC10~30V)	Power (DC10~30V)	Power (DC10~30V)
2	V out	V out	V out	I out
3	GND (-)	GND (-)	GND (-)	N/A
4	E-case	E-case	E-case	E-case

MJCS-02

SYMBOLS



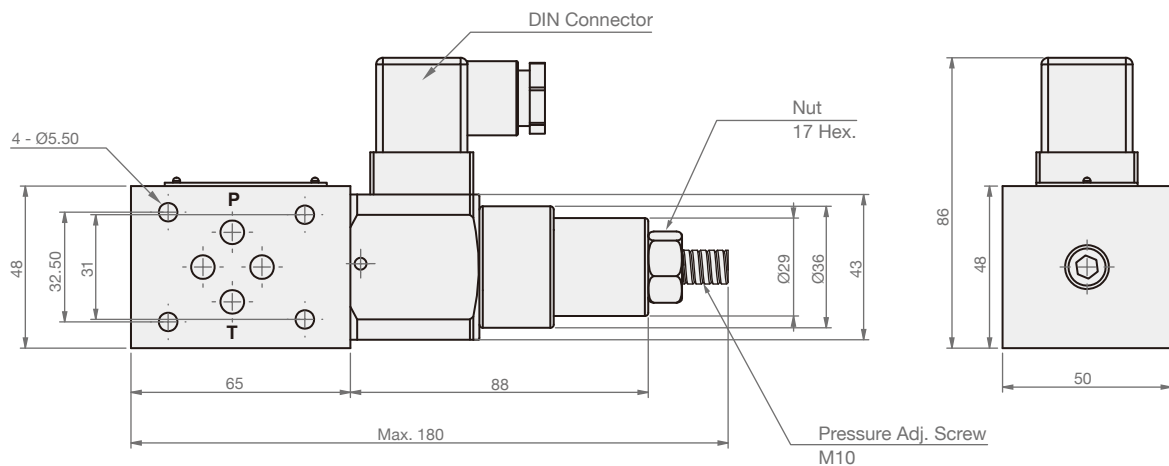
MODEL SPEC.

Model	Used Pressure (kgf/cm ²)	Max. Pressure (kgf/cm ²)	Weight (kg)
MJCS-02A MJCS-02B MJCS-02P	30 - 210	350	1.64
MJCS-02AL MJCS-02BL MJCS-02PL	15 - 60	210	
MJCS-02ALL MJCS-02BLL MJCS-02PLL	5 - 40	60	

Operational Voltage / Current	
AC250V / 3A AC125V / 5A	DC24V / 20mA

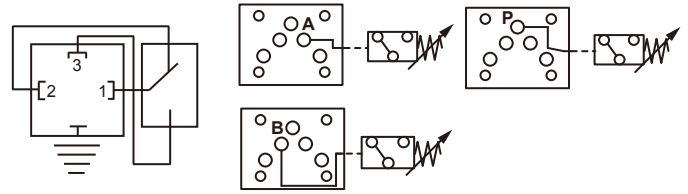
DIMENSION

(UNIT : mm)



MJCS-03

SYMBOLS

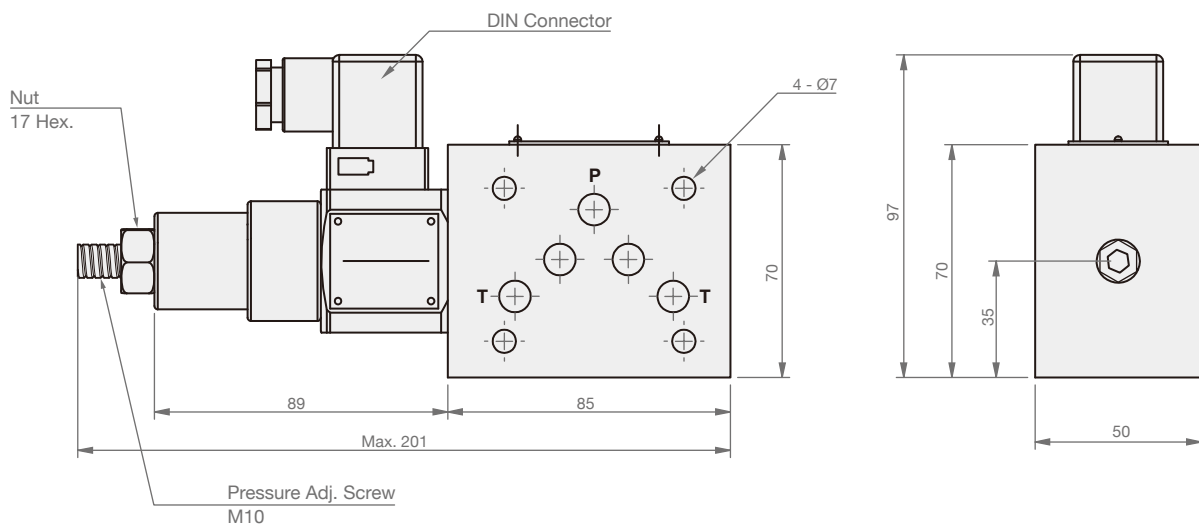


MODEL SPEC.

Model	Used Pressure (kgf/cm ²)	Max. Pressure (kgf/cm ²)	Weight (kg)
MJCS-03A MJCS-03B MJCS-03P	30 - 210	350	
MJCS-03AL MJCS-03BL MJCS-03PL	15 - 60	210	
MJCS-03ALL MJCS-03BLL MJCS-03PLL	5 - 40	60	
Operational Voltage / Current			
AC250V / 3A AC125V / 5A		DC24V / 20mA	

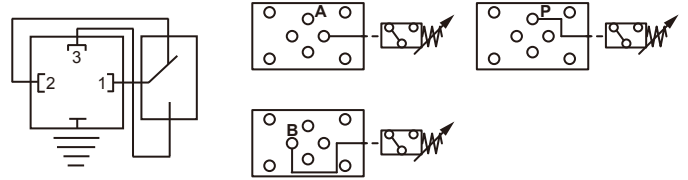
DIMENSION

(UNIT : mm)



MJCS-02-SC

SYMBOLS



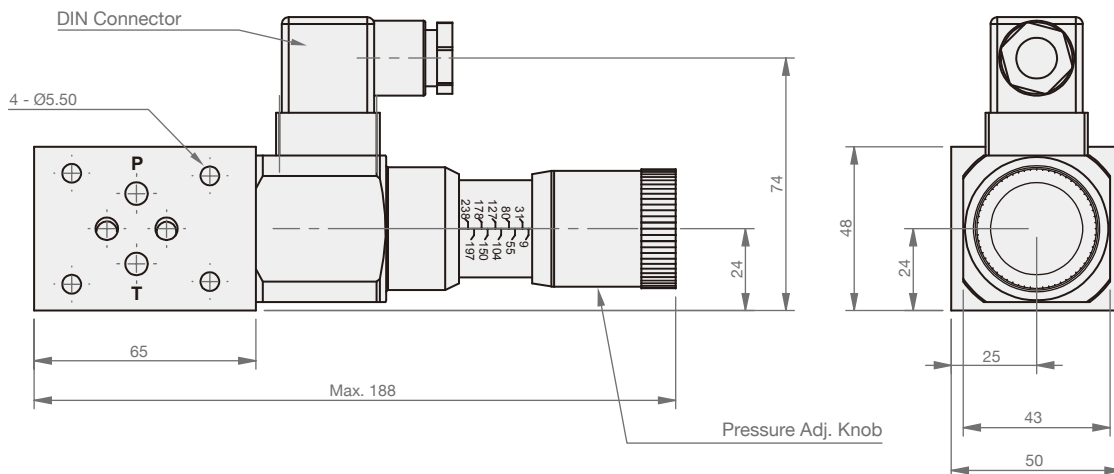
MODEL SPEC.

Model	Used Pressure (kgf/cm ²)	Max. Pressure (kgf/cm ²)	Weight (kg)
MJCS-02A-SC MJCS-02B-SC MJCS-02P-SC	30 - 210	350	
MJCS-02AL-SC MJCS-02BL-SC MJCS-02PL-SC	15 - 60	210	1.75
MJCS-02ALL-SC MJCS-02BLL-SC MJCS-02PLL-SC	5 - 40	60	

Operational Voltage / Current	
AC250V / 3A AC125V / 5A	DC24V / 20mA

DIMENSION

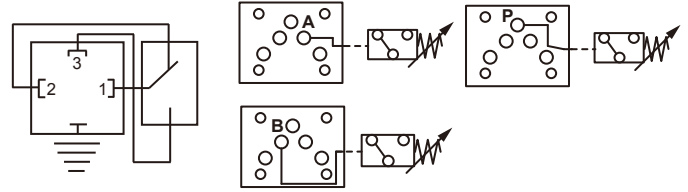
(UNIT : mm)



MJCS-03-SC



SYMBOLS



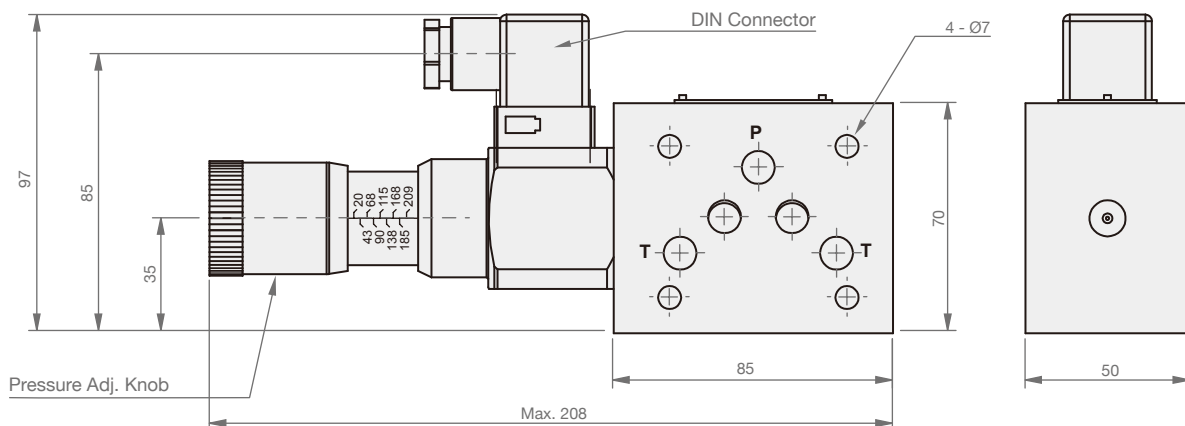
MODEL SPEC.

Model	Used Pressure (kgf/cm ²)	Max. Pressure (kgf/cm ²)	Weight (kg)
MJCS-03A MJCS-03B MJCS-03P	30 - 210	350	2.69
MJCS-03AL MJCS-03BL MJCS-03PL	15 - 60	210	
MJCS-03ALL MJCS-03BLL MJCS-03PLL	5 - 40	60	

Operational Voltage / Current	
AC250V / 3A AC125V / 5A	DC24V / 20mA

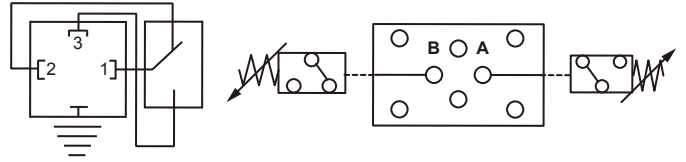
DIMENSION

(UNIT : mm)



MJCS-02W

SYMBOLS



MODEL SPEC.

Model	Used Pressure (kgf/cm ²)	Max. Pressure (kgf/cm ²)	Weight (kg)
MJCS-02W	30 - 210	350	2.37
MJCS-02WL	15 - 60	210	
MJCS-02WLL	5 - 40	60	

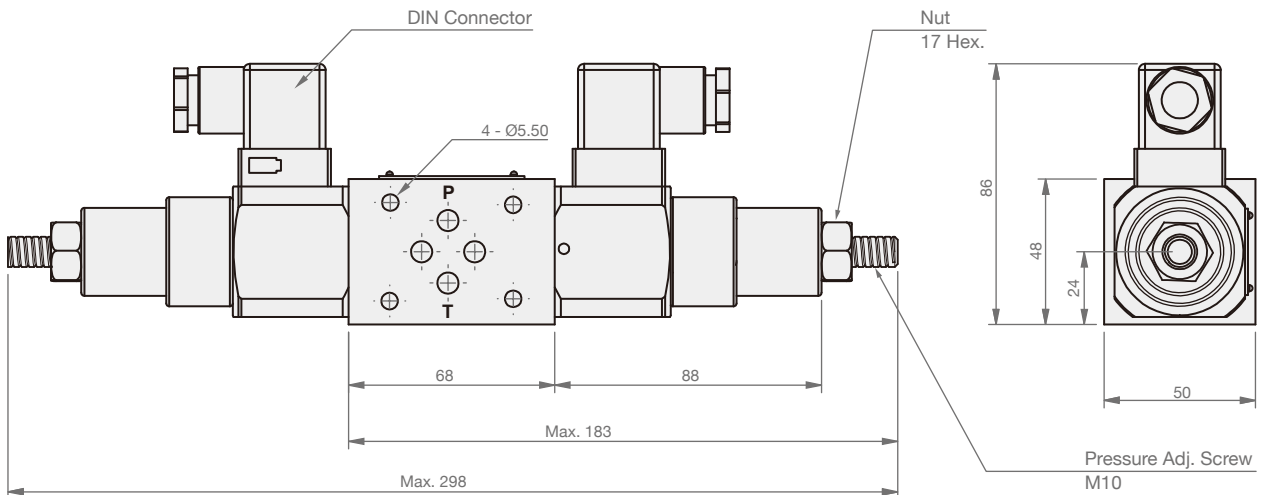
Operational Voltage / Current

AC250V / 3A
AC125V / 5A

DC24V / 20mA

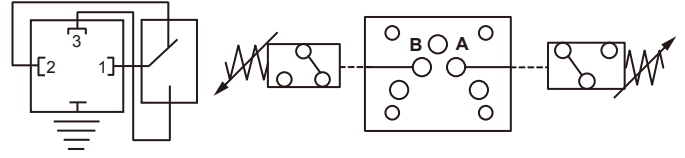
DIMENSION

(UNIT : mm)



MJCS-03W

SYMBOLS

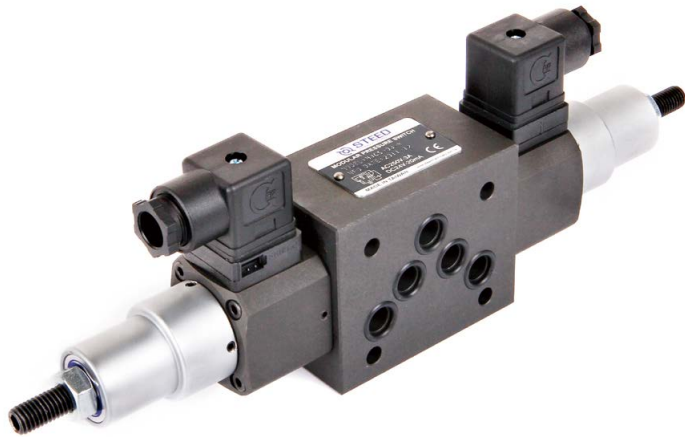


MODEL SPEC.

Model	Used Pressure (kgf/cm ²)	Max. Pressure (kgf/cm ²)	Weight (kg)
MJCS-03W	30 - 210	350	3.25
MJCS-03WL	15 - 60	210	
MJCS-03WLL	5 - 40	60	

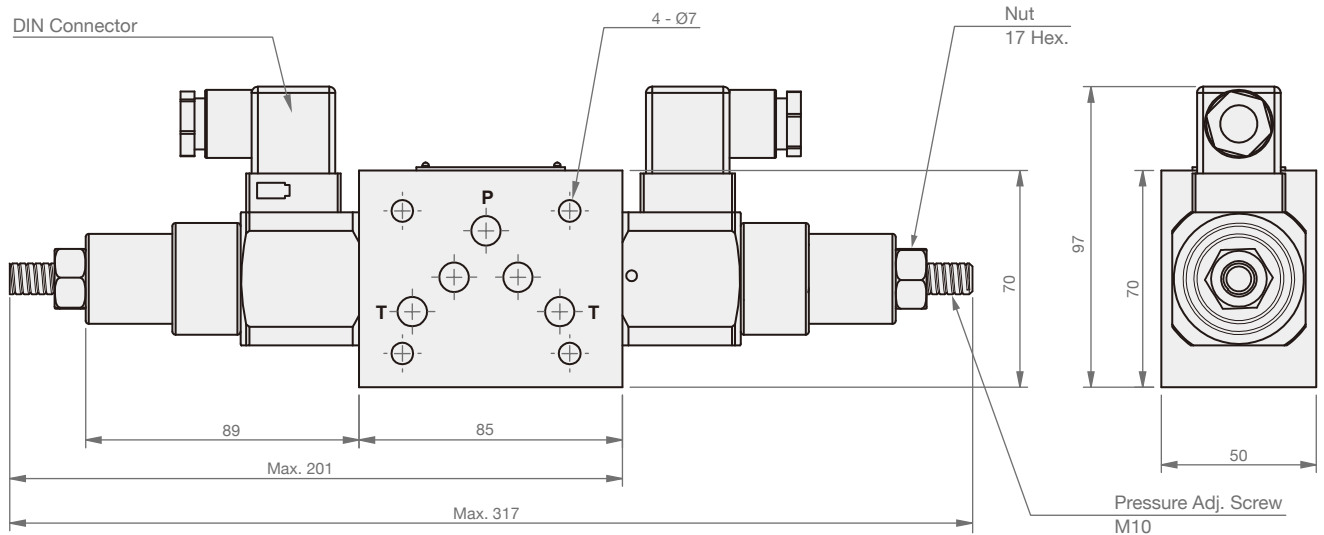
Operational Voltage / Current

AC250V / 3A AC125V / 5A	DC24V / 20mA
----------------------------	--------------



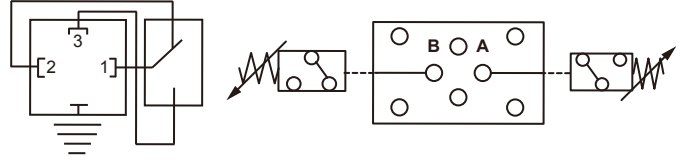
DIMENSION

(UNIT : mm)



MJCS-02W-SC

SYMBOLS



MODEL SPEC.

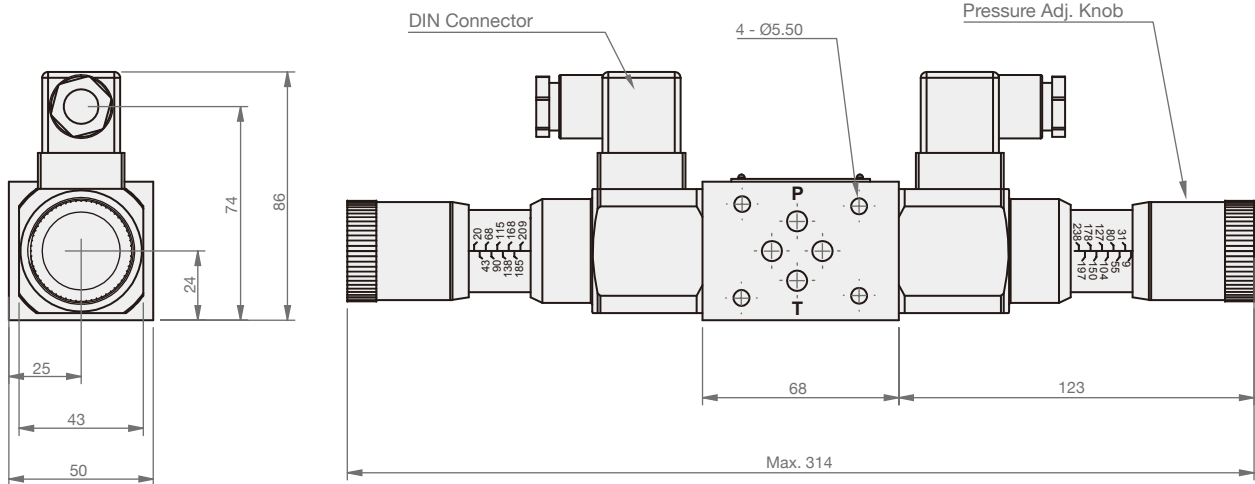
Model	Used Pressure (kgf/cm ²)	Max. Pressure (kgf/cm ²)	Weight (kg)
MJCS-02W-SC	30 - 210	350	2.59
MJCS-02WL-SC	15 - 60	210	
MJCS-02WLL-SC	5 - 40	60	

Operational Voltage / Current

AC250V / 3A AC125V / 5A	DC24V / 20mA
----------------------------	--------------

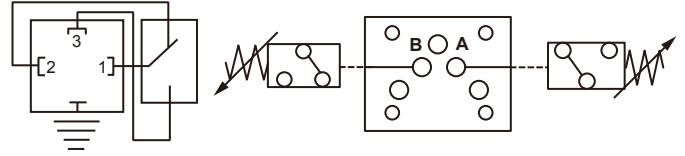
DIMENSION

(UNIT : mm)



MJCS-03W-SC

SYMBOLS



MODEL SPEC.

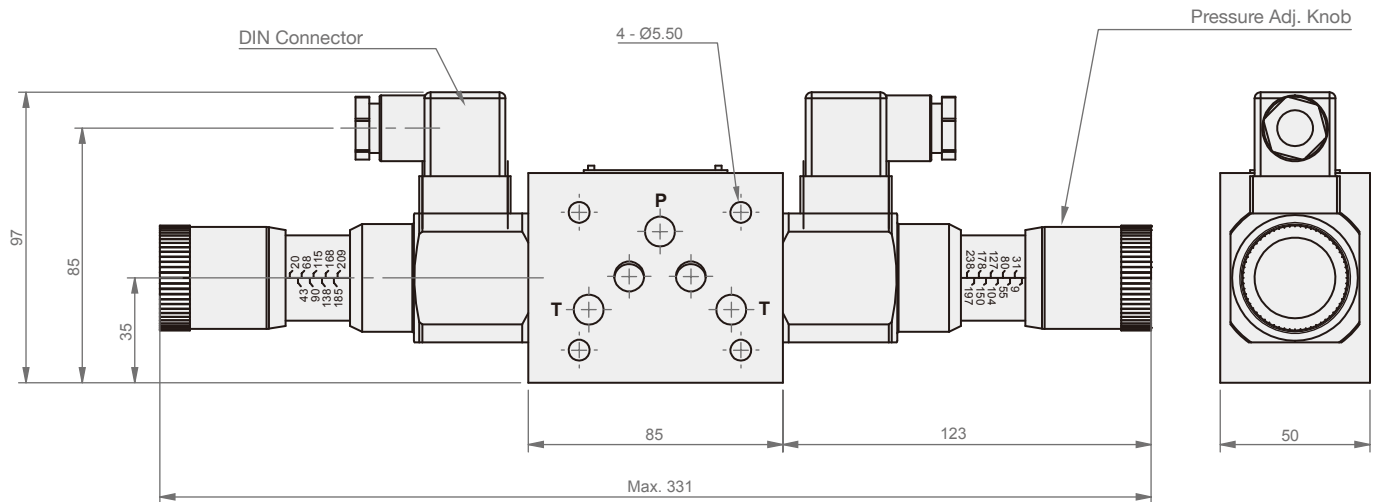
Model	Used Pressure (kgf/cm ²)	Max. Pressure (kgf/cm ²)	Weight (kg)
MJCS-02W-SC	30 - 210	350	3.45
MJCS-02WL-SC	15 - 60	210	
MJCS-02WLL-SC	5 - 40	60	

Operational Voltage / Current

AC250V / 3A AC125V / 5A	DC24V / 20mA
----------------------------	--------------

DIMENSION

(UNIT : mm)



LVM

ORDER CODES

LVM - **M** - **250L** - **150** - **D**

① ③ ② ④ ⑤

①	Model Name	LVM	
②	Signal	S	single
		M	double
③	Total length of the stick (L)	200L: 200mm, 250L: 250mm 300L: 300mm, etc. *	
④	The length from the flange to upper buoy (L1)	100, 150, etc. *	
⑤	DIN connector	D	indicator
		none	without indicator

* The regular products total length are 200, 250, 300mm.
If you need taylor made service, please contact us.

MODEL SPEC.

Model	LVM	LVM-D
Material	body:SUS304, flange:aluminum	
Operating Voltage	AC250V, DC24V	DC24V
Max. on-off current	AC:0.5A, DC:0.7A	
Max. carrying current	2.5A	
Weight	LVM-S-250L-D: 180g, LVM-M-300L-D: 200g Depends on the dimension	

Remark: The dimension of flange can be customized.



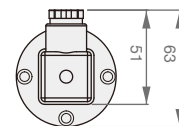
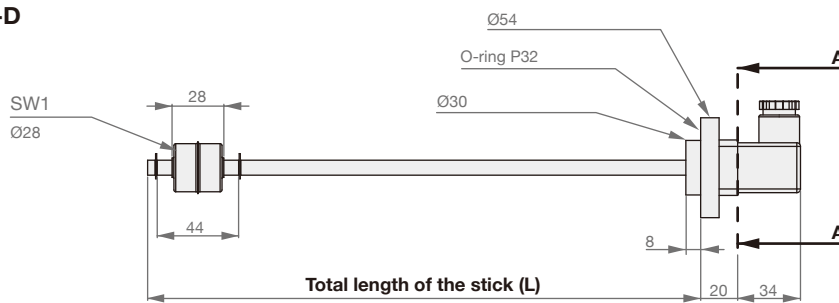
LVM-S-D

LVM-M-D

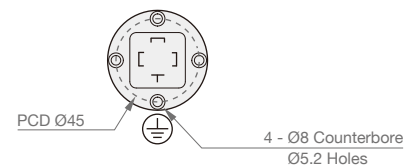
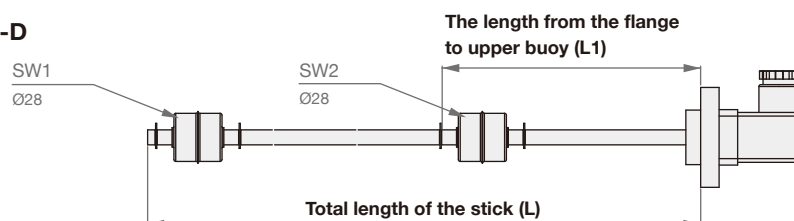
DIMENSION

(UNIT : mm)

► LVM-S-D



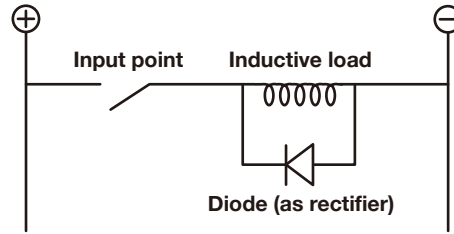
► LVM-M-D



Cross-sectional View A-A

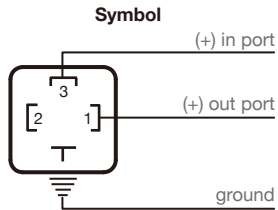
Recommendation

When the inductive load is working, we would recommend you installing a protective circuit in order to prolong the lifespan of the switch.



ELECTRIC DISTRIBUTION

► LVM-S



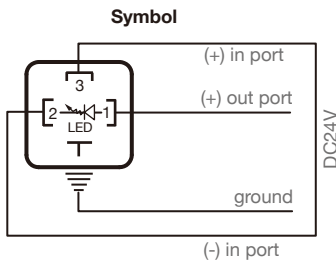
**Electric distribution
Low alarm**



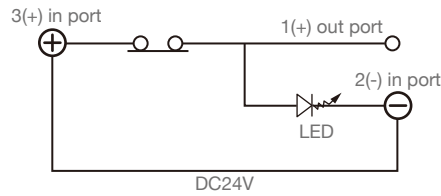
**Electric distribution
High alarm (customized)**



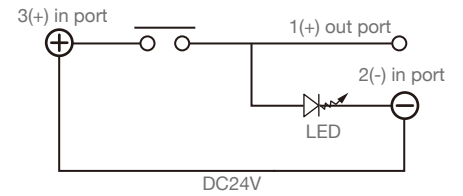
► LVM-S-D



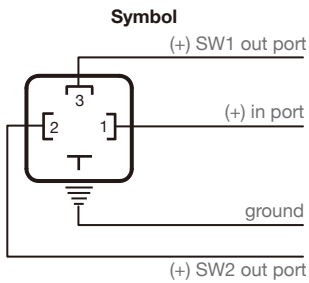
**Electric distribution
Low alarm**



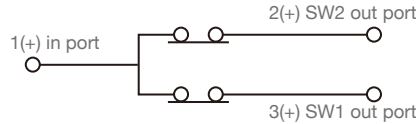
**Electric distribution
High alarm (customized)**



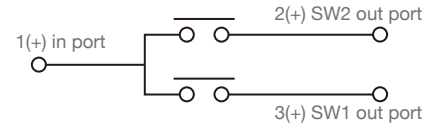
► LVM-M



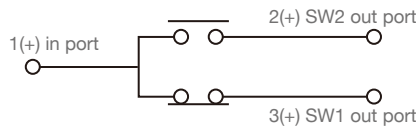
**Electric distribution
Low alarm**



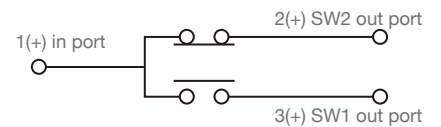
**Electric distribution
High alarm (customized)**



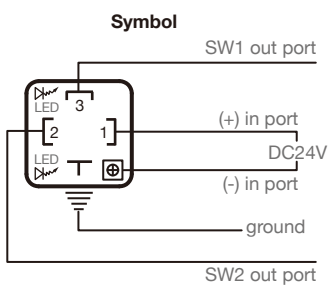
**Electric distribution
Supply control (customized)**



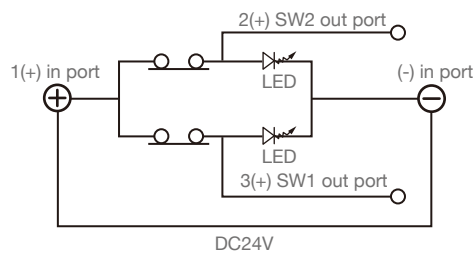
**Electric distribution
Discharge control (customized)**



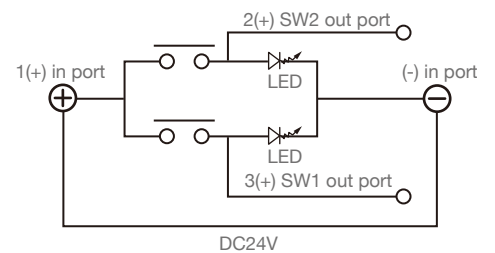
► LVM-M-D



**Electric distribution
Low alarm**



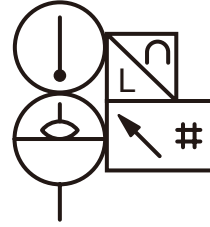
**Electric distribution
High alarm (customized)**



LVMTC



SYMBOLS



ORDER CODES

LVMTC - **M** - **300L** - **100** - **B**

1
3
2
4
5

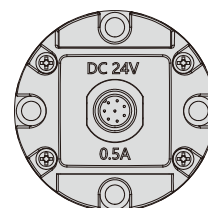
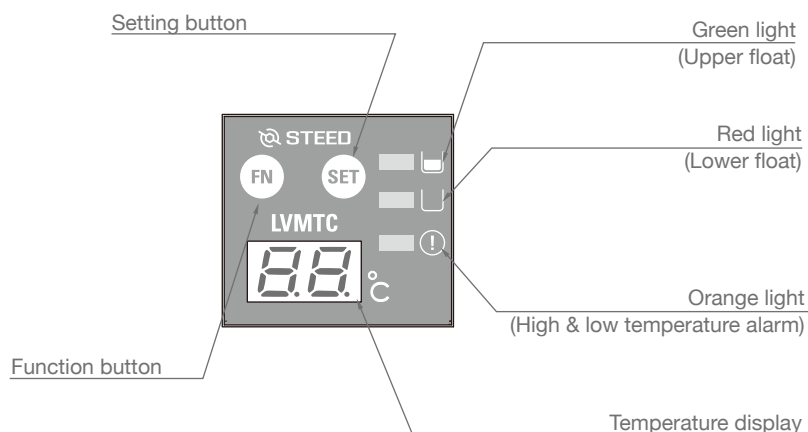
1	Model Name	LVMTC	
2	Signal	S	single
		M	double
3	Total Length of The Stick (L)	200L: 200mm, 250L: 250mm 300L: 300mm, etc. *	
4	The Length from The Flange to Upper Buoy (L1)	100, 150, etc. *	
5	Design Number	B	

* The regular products total length are 200, 250, 300mm.
If you need taylor made service, please contact us.

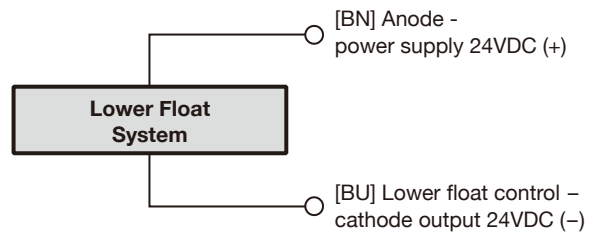
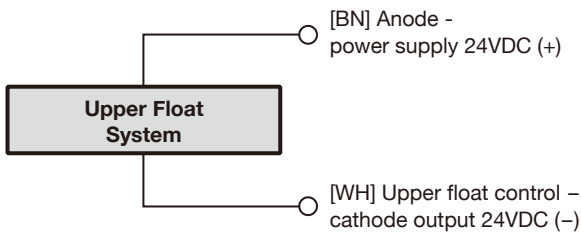
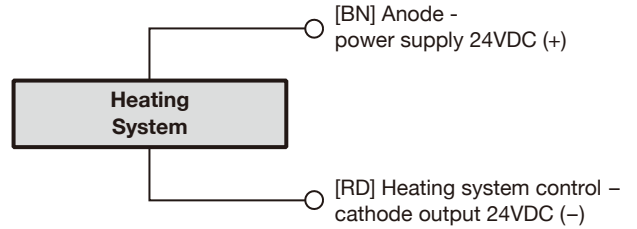
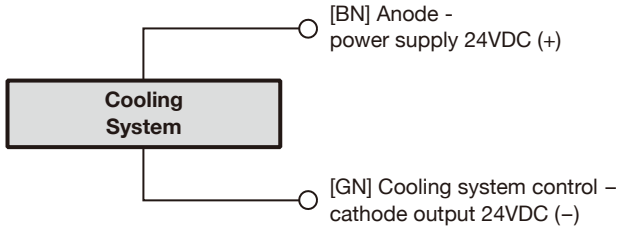
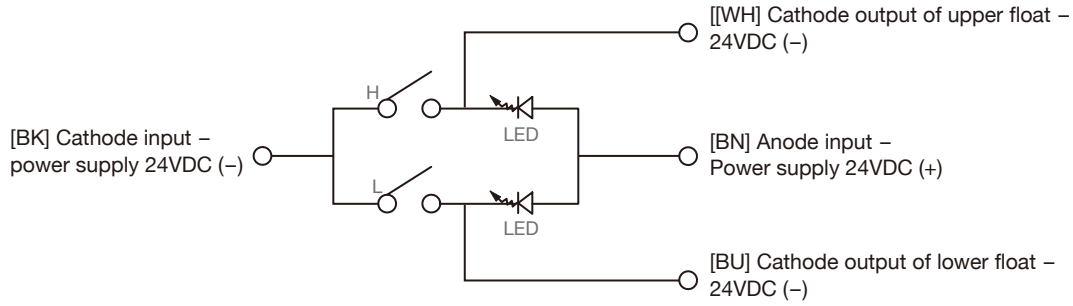
MODEL SPEC.

Model	LVMTC
Material	case:PA66+15%GF, body:SUS304, flange:aluminum
Operating Voltage	DC24V
Max. On-off Current	0.5A
Max. Carrying Current	2.5A
Weight	LVMTC-M-300L-100-A: 245g Depends on the dimension

OPERATING PANEL & WIRING INSTRUCTION



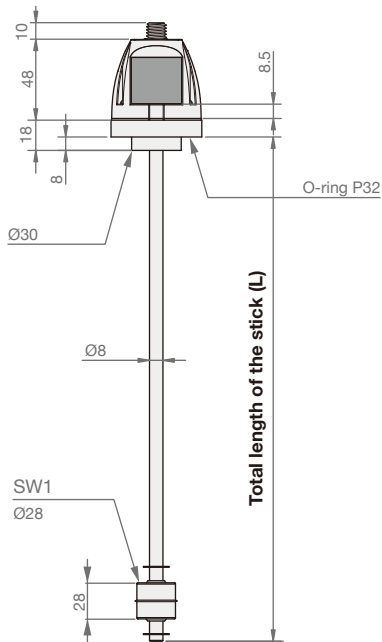
Wiring instruction	
WH	high
BN	24VDC (+)
GN	cooler
YE	24VDC (-)
GY	ground
PK	N/A
BU	low
RD	heater



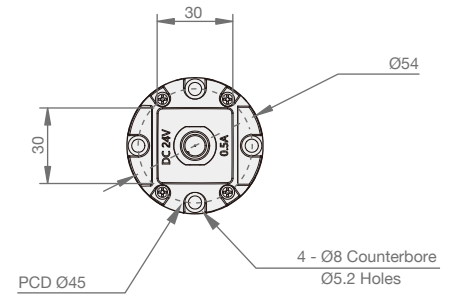
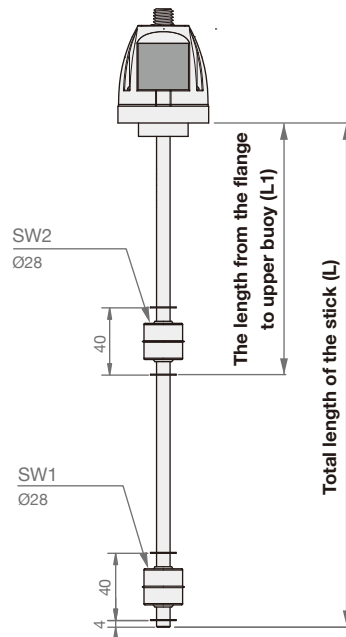
DIMENSION

(UNIT : mm)

► LVMT-C-S



► LVMT-C-M



Steed Machinery Co., Ltd.

No. 28, Ruiguang St., South Dist.,
Taichung City 40249,
Taiwan
Tel : +886-4-2285-4867
Fax : +886-4-2285-2848
Email : info@steedmachinery.com.tw

more information
www.steedmachinery.com.tw

