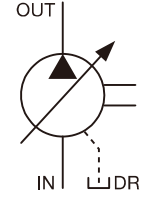


# VHO



## SYMBOLS



## ORDER CODES

**VHO - F - 15 - A2 - B5**

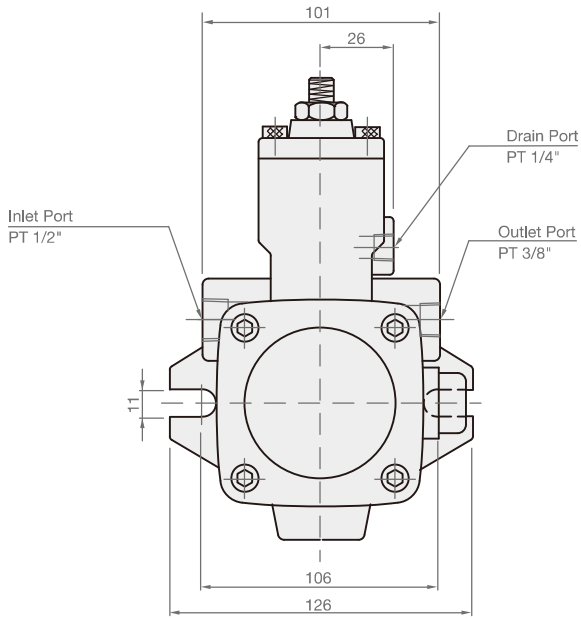
①      ②      ③      ④      ⑤

①	▶ <b>Model Name</b>	<b>VHO</b>	
②	▶ <b>Mounting</b>	<b>F</b>	flange type
		<b>L</b>	foot type
③	▶ <b>Delivery at 1800 r.p.m.</b>	<b>08, 10, 12, 15, 20, 25</b>	
④	▶ <b>Pressure Adj. Range</b>	<b>A1</b>	8~35 kgf/cm <sup>2</sup>
		<b>A2</b>	35~70 kgf/cm <sup>2</sup>
⑤	▶ <b>Design Number</b>	<b>B5</b>	ø15.875
		<b>T9</b>	spline shaft

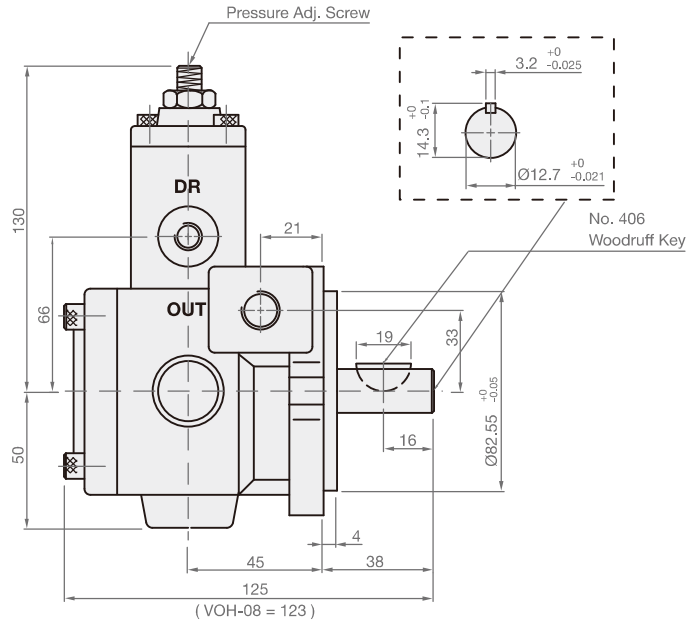
## MODEL SPEC.

Model	Max. Pressure (kgf/cm <sup>2</sup> )	Delivery at 3.5 kgf/cm <sup>2</sup> , 1800 r.p.m. (l/min)	Speed (r.p.m.)		Ports Size (PT)			Weight (kg)	
			Min.	Max.	Outlet	Inlet	DR	Foot Type	Flange Type
VHO-08	70	8	900	1800	3/8"	1/2"	1/4"	6	5
VHO-10	70	10							
VHO-12	70	12							
VHO-15	70	15							
VHO-20	70	20							
VHO-25	55	25							

► VHO-08, 12, 15, 20, 25

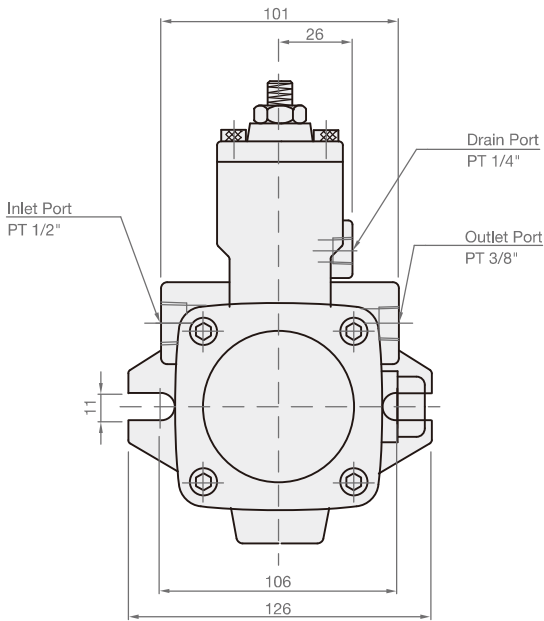


\* Note : without flow adjustment screw

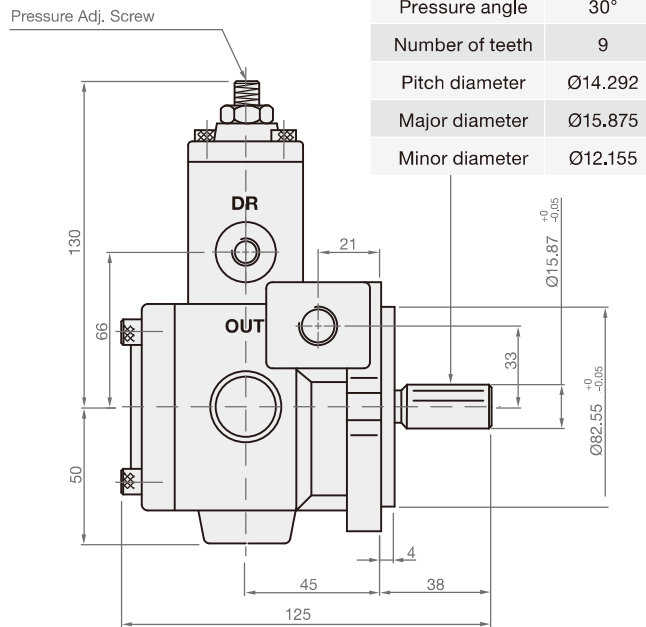


\* The shaft has Ø15.88 & keyway 4mm type option

► VHO-12, 15, 20, 25 (Spline Shaft)



\* Note : without flow adjustment screw



ANSI B92.1 Standard	
Module	DP16/32
Pressure angle	30°
Number of teeth	9
Pitch diameter	Ø14.292
Major diameter	Ø15.875
Minor diameter	Ø12.155