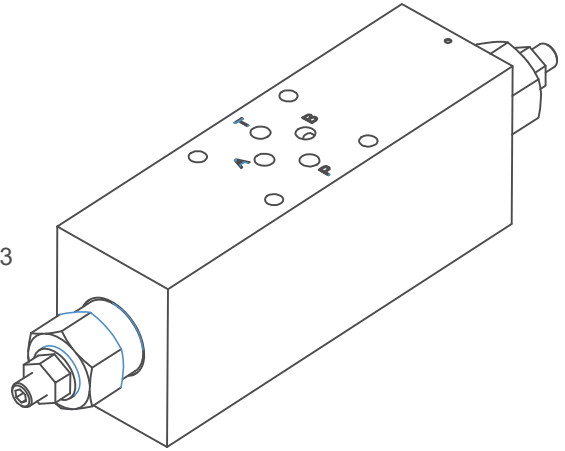
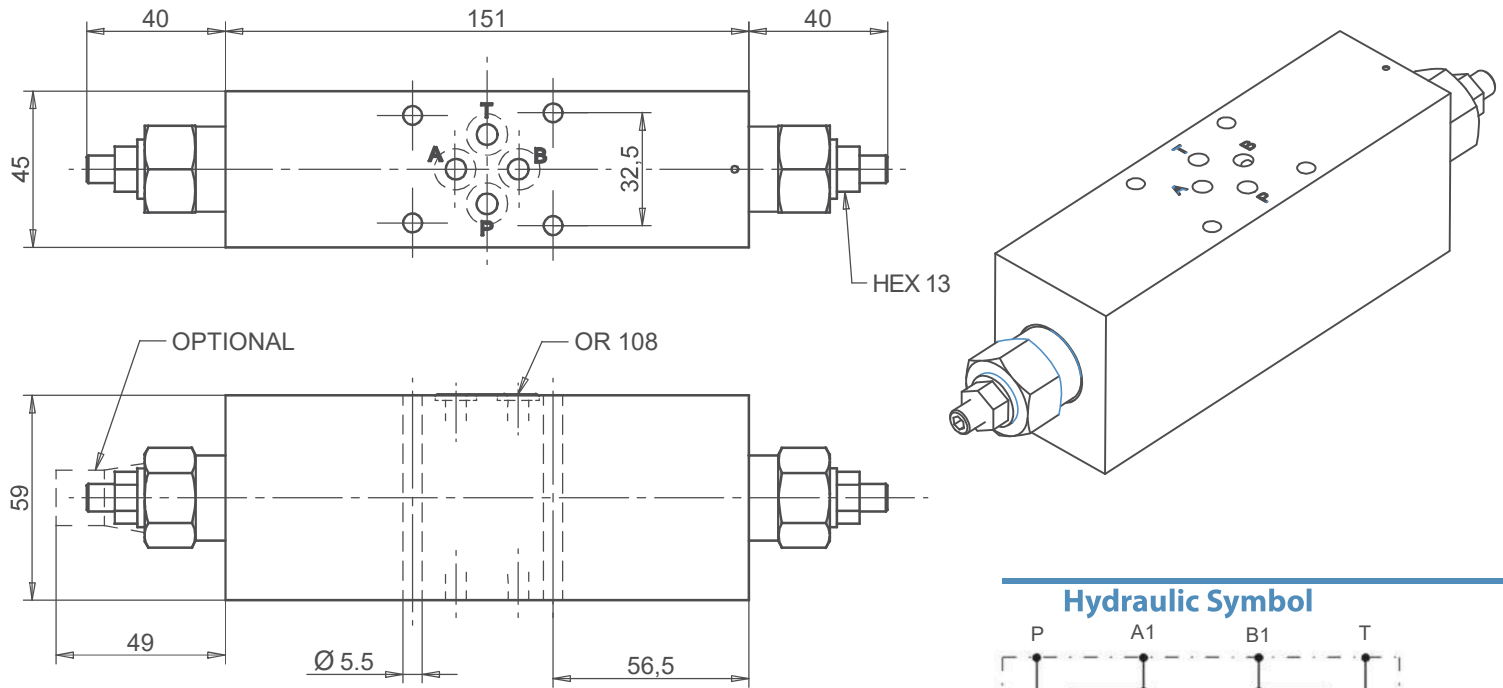
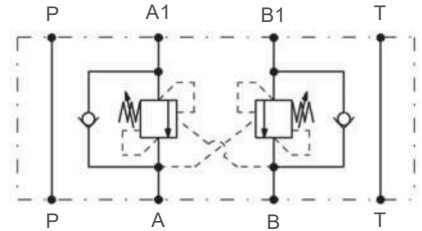


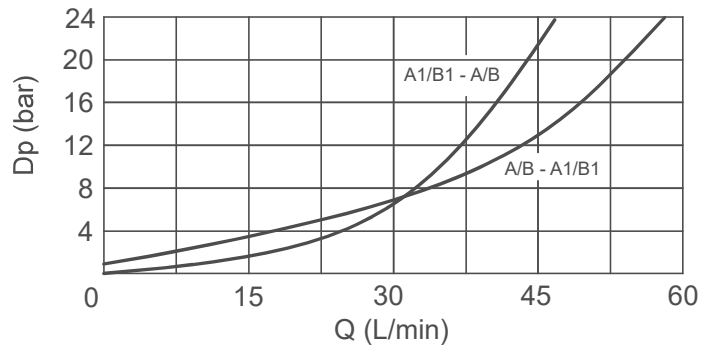
Dimensions



Hydraulic Symbol



Curves



Features

Max Flow	50 lpm
Max Pressure	350 bar
Pilot Ratio	4,2:1

Materials: Zinc plated steel cartridge, hardened steel inner parts. Aluminium manifold.

Ordering Code

RCBDLNG6 -- -

	Spring		
	Pressure Range (bar)	Increase (bar/turn)	Standard Setting (bar) Q=5 lpm
20	60 - 210	61	180
30	100 - 350	100	250

Pilot Ratio	
	4,2 : 1
8	8 : 1

Ordering Code Example: RCBDLNG6208 - 61-180 bar setting range, 8:1 Pilot Ratio.