

Technical data

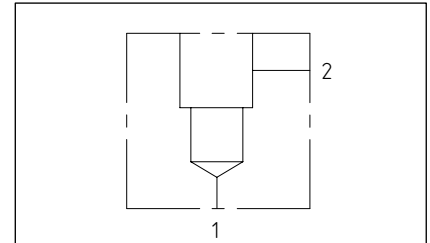
Aluminum body pressure rating 250 bar	Cavity SAE08-2	Aluminum body weight 0.128 kg
--	-------------------	----------------------------------

Body material X

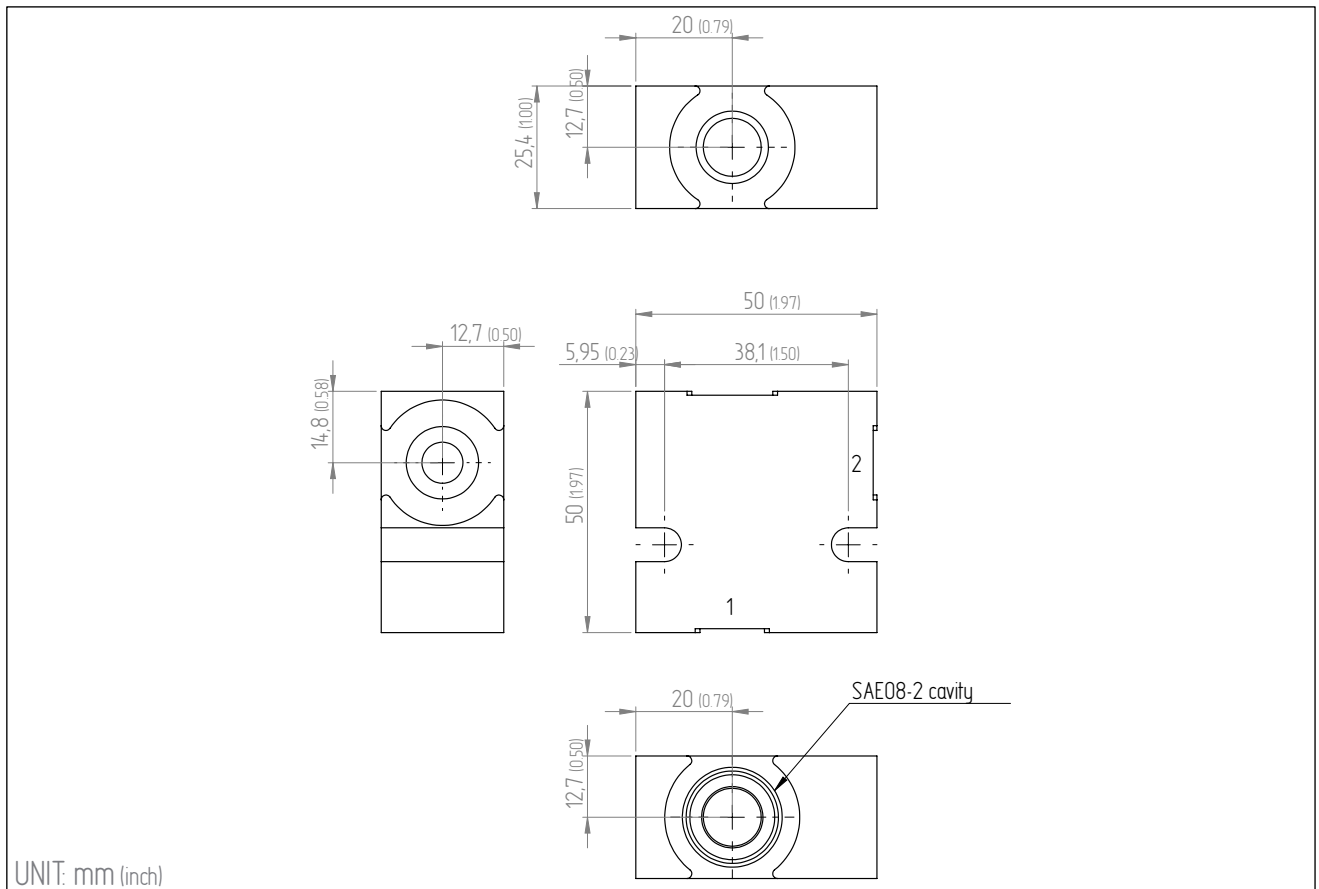
X	Material, coating
A	aluminum, w/o coating

Port size Y

Y	Ports 1,2
1	3/8" BSP



Dimensions



Cartridge valve selection Z*

Z	Valve code	Description	Hydraulic symbol	Data
	body only			
11	RV08A-20-N-09	Direct acting relief valve, poppet type (22.7 l/min, 0.22 kg)		6.9-89.6 bar
12	RV08A-20-N-18			7.24-179.3 bar
13	RV08A-20-N-33			7.24-278.8 bar
21	RV08A-22-N-07	Direct acting relief valve, differential area poppet type (30.2 l/min, 0.22 kg)		6.9-62.1 bar
22	RV08A-22-N-13			6.9-117.2 bar
23	RV08A-22-N-26			7.2-220.7 bar
31	MH-082-LAN	Noiseless direct acting diagonal area relie valve (25 l/min, 0.15 kg)		7-210 bar
32	MH-082-LBN			3.5-105 bar
33	MH-082-LCN			90-350 bar

*Z is not marked on the body

Ordering code: 1008.0507.X.Y.Z

Cartridge valve selection (cont.) Z*

Z	Valve code	Description	Hydraulic symbol	Data
41	CR08A-28-N-15	Bi-directional relief valve, poppet type (37 l/min, 0.22 kg)		6.9-103. bar
42	CR08A-28-N-30			51.7-206.9 bar
43	CR08A-28-N-50			103.4-344.8 bar
51	CV08-20-N-05	Check valve, 2→1, ball type (30 l/min, 0.05 kg)		0.34 bar
52	CV08-20-N-30			2.1 bar
53	CV08-20-N-50			3.5 bar
61	CV08-21-N-25	Check valve, 1→2, ball type (30.2 l/min, 0.053 kg)		1.75 bar
71	NV08A-20-N	Flow control, needle valve (42 l/min, 0.115 kg)		
81	SV08-20-D1-DG-N	On/off 2 ways, 2 positions valve, poppet type (23 l/min, 0.25 kg)		12 VDC
82	SV08-20-D2-DG-N			24 VDC
83	SV08-21-D1-DG-N	On/off 2 ways, 2 positions valve, poppet type (30 l/min, 0.27 kg)		12 VDC
84	SV08-21-D2-DG-N			24 VDC
85	SV08-22-D1-DG-N	On/off 2 ways, 2 positions valve, poppet type (23 l/min, 0.25 kg)		12 VDC
86	SV08-22-D2-DG-N			24 VDC
87	SV08-23-D1-DG-N	On/off 2 ways, 2 positions valve, poppet type (30 l/min, 0.28 kg)		12 VDC
88	SV08-23-D2-DG-N			24 VDC
91	SV08-24-D1-DG-N	On/off 2 ways, 2 positions valve, spool type (17 l/min, 0.25 kg)		12 VDC
92	SV08-24-D2-DG-N			24 VDC
93	SV08-25-D1-DG-N	On/off 2 ways, 2 positions valve, spool type (17 l/min, 0.25 kg)		12 VDC
94	SV08-25-D2-DG-N			24 VDC
95	SV08-26-D1-DG-N	On/off 2 ways, 2 positions valve, spool type (1 l/min, 0.26 kg)		12 VDC
96	SV08-26-D2-DG-N			24 VDC
97	SV08-28G-D1-DG-N	On/off 2 ways, 2 positions valve (19 l/min, 0.30 kg)		12 VDC
98	SV08-28G-D2-DG-N			24 VDC
A1	HSP08-20-D1-DG-N	Proportional flow control valve, 2 ways, NC, poppet type (22 l/min, 0.26 kg)		12 VDC
A2	HSP08-20-D2-DG-N			24 VDC
B1	STS38-20A-D1-DG-N	Proportional electric relief valve (11.4 l/min, 0.45 kg)		207 bar, 12 VDC
B2	STS38-20B-D1-DG-N			138 bar, 12 VDC
B3	STS38-20C-D1-DG-N			69 bar, 12 VDC
B4	STS38-20A-D2-DG-N			207 bar, 24 VDC
B5	STS38-20B-D2-DG-N			138 bar, 24 VDC
B6	STS38-20C-D2-DG-N			69 bar, 24 VDC

*Z is not marked on the body