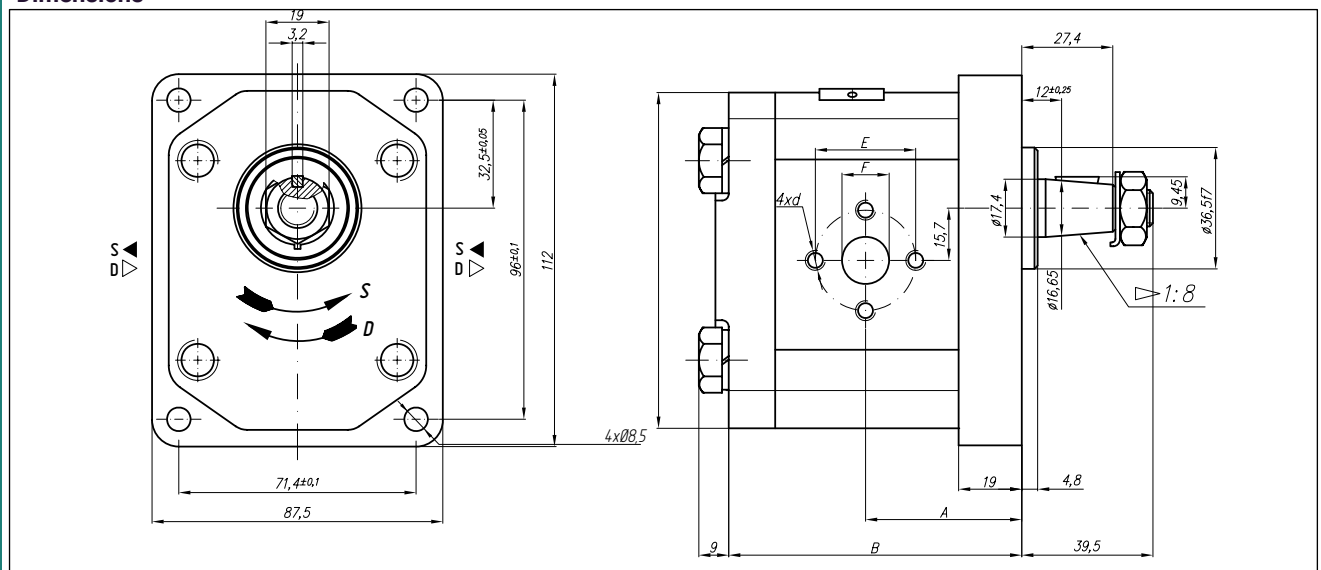


**Operating conditions**

Recommended fluid:	hydraulic oils, viscosity range: 16 ÷ 200 mm <sup>2</sup> /s
Degree of filtration:	15 ÷ 25 µm
Ambient temperature range:	-22 ÷ +55°C
Fluid temperature range:	-25 ÷ +80°C
Inlet pressure, absolute:	0.8 ÷ 2.2 bar
Fluid velocity (suction line):	0.5 ÷ 1 m/s
Outlet pressure:	up to 250 bar

**Technical characteristics**

Code	Displacement [cm <sup>3</sup> /rev]	Flow [l/min]		Pressure [bar]	Max speed [rpm]
		at 1500 rpm	at max rpm		
R20D(S)4,5X006	4.5	6.14	14.33	250	3500
R20D(S)6,3X006	6.3	8.69	20.29	250	3500
R20D(S)8,2X006	8.2	11.32	26.40	250	3500
R20D(S)10X006	10	13.95	32.55	250	3500
R20D(S)11X006	11.3	15.76	36.78	250	3500
R20D(S)12X006	12	16.92	39.48	250	3500
R20D(S)14X006	14	19.95	46.55	250	3500
R20D(S)15X006	15	21.60	36.00	250	2500
R20D(S)16X006	16	23.04	38.40	250	2500
R20D(S)19X006	19	27.36	45.60	200	2500
R20D(S)22X006	22	31.68	42.24	180	2000
R20D(S)25X006	25	36.00	48.00	160	2000

**Dimensions**


Code	A [mm]	B [mm]	Inlet			Outlet		
			E [mm]	F [mm]	d	E [mm]	F [mm]	d
R20D(S)4,5X006	42.5	80	30.2	13.1	M6-6H	30.2	13.1	M6-6H
R20D(S)6,3X006								
R20D(S)8,2X006								
R20D(S)10X006	47	89	39.7	19	M8-6H	30.2	14.2	M6-6H
R20D(S)11X006								
R20D(S)12X006								
R20D(S)14X006								
R20D(S)15X006								
R20D(S)16X006								
R20D(S)19X006								
R20D(S)22X006	57	108.5	39.7	19	M8	39.7	19	M8
R20D(S)25X006	59.2	113.4						