

AXIAL PISTON FIXED PUMPS

XPi HYDRO LEDUC



- The XPi pumps are basically constructed with reinforced sealings, two radial seals provide an optimum sealing in the direction of the gear unit as well as the pump
- A transparent plastic pipe in the vent hole prevents the ingress of dirt and high pressure water and should simply be mounted on the suction hose
- Use of high-class, mechanically resistant materials
- Compact design at maximum displacement volume
- High pump speed and performance at high pressure demands
- 7 piston technologies
- Optimised synchronisation between disc and drum
- Dual direction of rotation without any modification – no more displacement setting screw
- The inlet port must be connected correctly
- Reinforced sealings
- Reduced noise levels
- User-friendly operation
- Long service life
- Suction connection is included in the delivery
- Overflow oil line is not required

TECHNICAL SPECIFICATIONS

Type	Displacement volume* (dm ³)	Pressure max.		Drive max. (turns/min)	Performance intake max. at 350 bar (Nm)	Breakdown torque (Nm)	Self weight (kg)
		duration (bar)	peak <5 s (bar)				
EP1394A	12	350	400	3150	71	9.17	9.65
EP1395A	18	350	400	2900	107	9.21	9.70
EP1396A	25	350	400	2750	148	9.26	9.75
EP1397A	32	350	400	2700	190	11.55	11.55
EP1398A	41	350	400	2550	243	11.60	11.60
EP1399A	50.3	350	400	2450	292	12.23	11.65
EP1400A	63	350	400	2300	362	12.28	11.70
EP1401A	80.4	350	400	2150	460	18.36	15.30
EP1402A	108.3	350	400	1900	619	18.48	15.40
EP1403A	129.8	350	400	1750	730	19.28	15.80

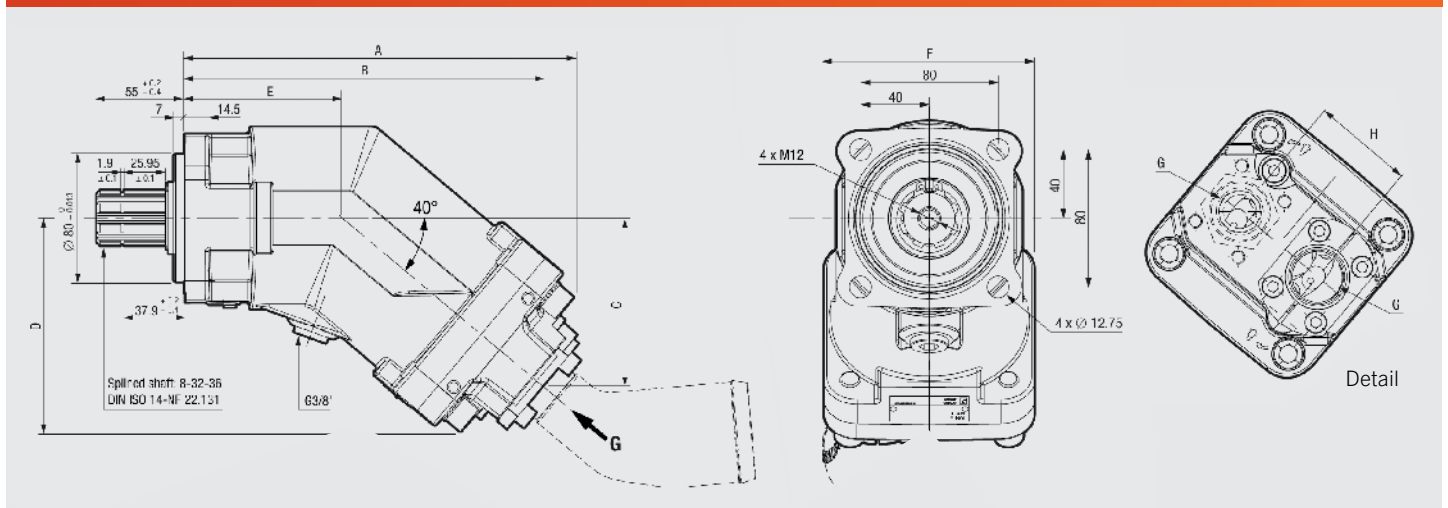
* at 1000 rpm

SCOPE OF DELIVERY: Axial piston fixed pump with straight suction connection

DIMENSIONS

Type	A	B	C	D	E	F	G	H
	(mm)	(mm)	(mm)	(mm)	(mm)	(mm)	(inch)	(mm)
EP1394A	196.7	177.8	77.1	103.9	85.7	108	¾	54
EP1395A	196.7	177.8	77.1	103.9	85.7	108	¾	54
EP1396A	196.7	177.8	77.1	103.9	85.7	108	¾	54
EP1397A	202.8	184	82.3	109.1	85.7	108	¾	54
EP1398A	202.8	184	82.3	109.1	85.7	108	¾	54
EP1399A	214.4	195.6	92.0	118.9	85.7	108	¾	54
EP1400A	214.4	195.6	92.0	118.9	85.7	108	¾	54
EP1401A	241.7	220.9	103.5	133.3	97.4	123	1	60
EP1402A	241.7	222.5	104.8	133.3	97.4	123	1	60
EP1403A	244	224.8	106.7	135.2	97.4	123	1	60

TECHNICAL DRAWING



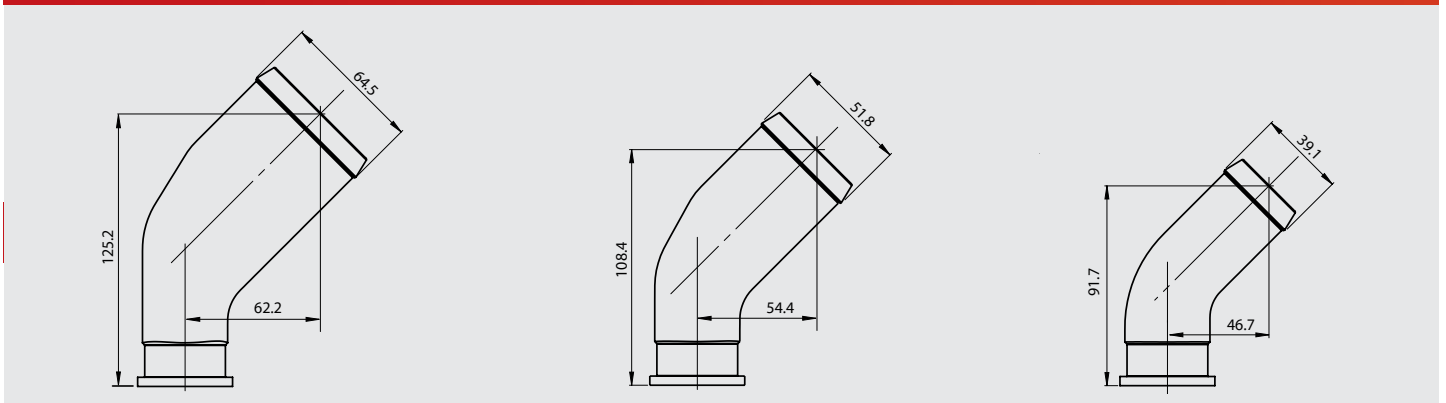
ACCESSORIES FOR PUMPS

HYDRO LEDUC

TECHNICAL SPECIFICATIONS: FOR EP1396A – EP1403A

Type	Description	Dimensions	Displacement volume (litre)
EA1991	Suction connection	G 1 ½"	12 – 32
EA1992	Suction connection	G 2" = 51.8 mm	12 – 80
EA1993	Suction connection	G 2 ½" = 64.5 mm	80 – 130
EA1993-90	Suction connection	G 2 1/2" = 64.5 mm, 90°	80 – 130
EA1992-90	Suction connection	G 2" = 51.8 mm, 90°	12 – 80
EA1991-90	Suction connection	G 1 1/2", 90°	12 – 32

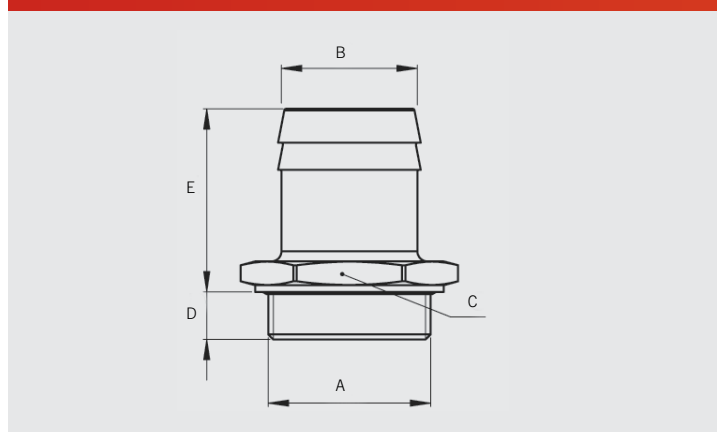
TECHNICAL DRAWING



TECHNICAL SPECIFICATIONS: FOR PA, PAC, PAD AND TXV PUMPS

Type	Description	Dimension A (inch)	Ø B (mm)	C (mm)	D (mm)	E (mm)	For model
EA1731	Suction connection	G 1 ½"	40	56	14	54	PA, PAC, TXV
EA1867	Suction connection	G 1 ½"	50	52	14	66	PA, PAC, TXV
EA1867-60	Suction connection	G 1 ½"	60	64	14	69	PA, PAC, TXV
EA1867-63	Suction connection	G 1 ½"	63.5	64	14	69	PA, PAC, TXV
EA2148	Suction connection	G 2"	50	66	14	54	PA, PAC
EA1987	Suction connection	G 1 ½"	76.2	80	14	89	PA, PAC

TECHNICAL DRAWING

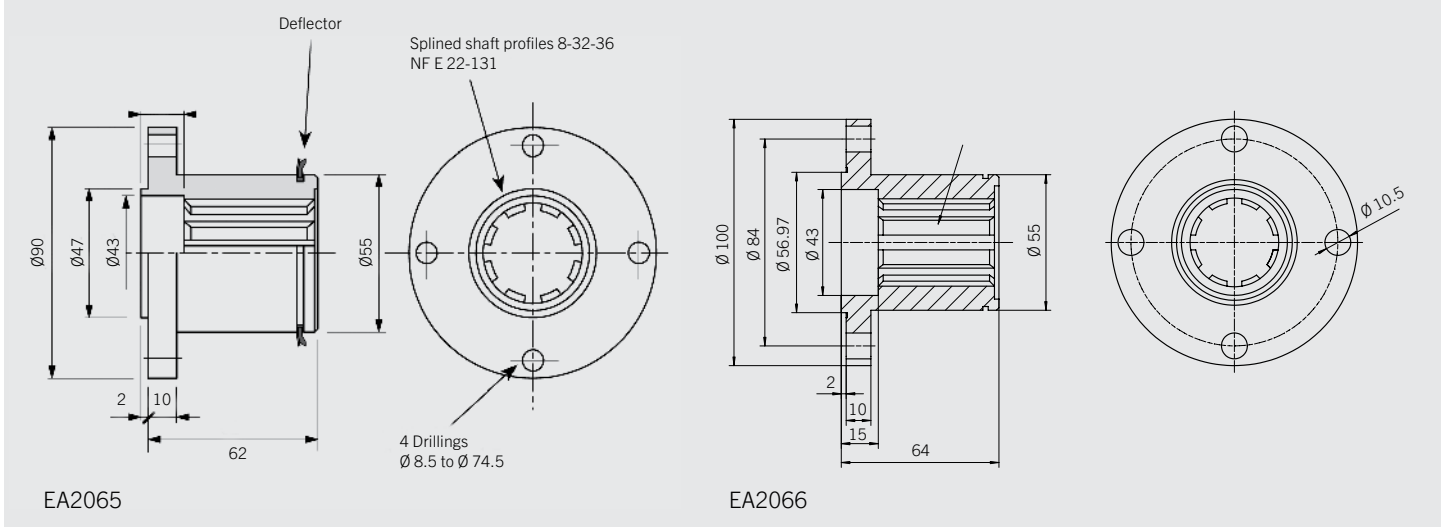


OTHER ACCESSORIES

Type	Description	Self weight (kg)
EA2065	Cardan plate for direct mounting of the pump to the cardan shaft	1.06
EA2066	Cardan plate for direct mounting of the pump to the cardan shaft	1.18

Type	Description	Dimensions (mm)
EH4937	Suction hose	NW 40 x 1700
EH4721	Suction hose	NW 50 x 1700
EH4560	Pressure hose	NW 16 x 550
EA1354	Pressure fitting	R 3/4" – R 3/4"
ED1132	Sealing	
ES2546	Adjusting screw for TXV and TXVi pumps to limit the angle of pivoting, adaptable to the desired delivery volume of the pump	
EEA6388	LS sensor for EP1926L	

TECHNICAL DRAWING



ACCESSORIES FOR PUMPS

HYDRO LEDUC



- By-pass valve for certain XPi-pump applications with a continuous, not disconnectable secondary drive rate
- Mounted directly at the end of the pump body
- Allowing a continuous pumping rotation speed with the following advantages:
 - » no heat development within the hydraulic circuit
 - » no negative detraction of the pumps' service life
 - » no further necessary modifications at the hydraulic system of the vehicle
- The by-pass valve is a connectable solenoid valve (24 V)
- Without flow, the by-pass valve is open and connects the pressure side with the suction side
- Charged with electric flow, the by-pass valve is closed and an operating pressure is built up

TECHNICAL SPECIFICATIONS

Type	For model	Self weight (kg)
EV5183	EP1394A – EP1400A	3.6
EV5184B	EP1401A – EP1403A	3.6

TECHNICAL DRAWING

