



NEW 210 BAR RANGE

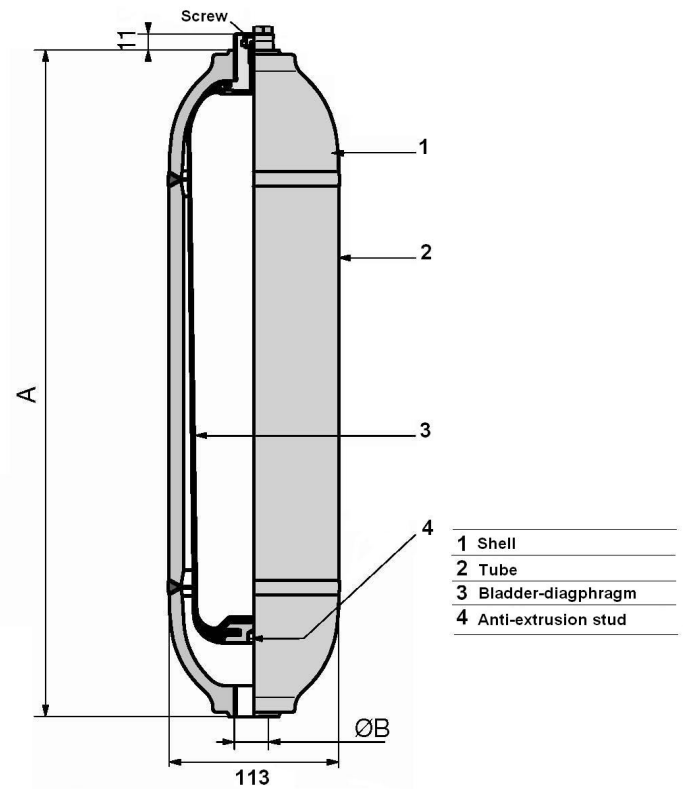


To complete its range of hydraulic accumulators, HYDRO LEDUC now offers a new welded series designed for applications with service pressures up to 210 bar.

- Shell of high resistance steel for operation at low temperature and/or high pressures.
- The separator is fitted with an anti-extrusion stud, allowing a total and rapid discharge of the accumulator.
- Fitted charging screw.

Extreme operating temperatures:

- Standard version: -20°C to 120°C
- «Low temperature» version: -40°C to +120°C



- | | |
|---|---------------------|
| 1 | Shell |
| 2 | Tube |
| 3 | Bladder-diaphragm |
| 4 | Anti-extrusion stud |

Leduc part number	Type	capacity	diametre	Length(A)	(ØB)	Weight
068125	ACSL 0,7	0,7 L	113	175	G1/2	3 KG
068130	ACSL 1	0,99 L	113	245	G3/4	4,5 KG
068135	ACSL 1,5	1,5 L	113	315	G3/4	5,9 KG
068140	ACSL 2	2 L	113	392	G3/4	7,6 KG
068145	ACSL 2,5	2,5 L	113	463	G3/4	8,9 KG